

N-Vent SYSTEM (concentric) INSTALLATION INSTRUCTION

Vertical Installation



warning

Failure to follow the installation instructions could cause FIRE, CARBON MONOXIDE POISONING, or DEATH.



caution

- The edges of sheet metal parts may be sharp. Always wear gloves and appropriate eye, foot, and other protections when handling these products.
- It is recommended that experienced professionals familiar with the operation and maintenance of gas burning appliances and vent/air intake system install this system. These instructions are a guide to assist a professional installer.
- Before commencing installation, please read the installation instructions carefully.
- Failure to follow the installation instructions could cause not only the lower performance of appliance but also property damage or personal injury.
- This vent system is a special stainless steel vent system for gas burning appliances, Category, II, III, IV.
- Different Manufacturers have Different Joint Systems and Adhesives. Do Not Mix Pipe, Fittings, or Joining Methods from Different Manufacturers.
- Examine all components for possible shipping damage prior to installation.

Vertical Installation

1. Check the location of appliance and the path for the vent system. Calculate the required number and combination of items of the vent system. Check the pitch of roof where the vent system passes through.
2. Cut 5.3"(135mm) diameter openings (or suitable 'oval' for pitched roof) in each floor, ceiling, and the roof where the vent system passes through.
3. Install the vent system from the appliance to roof by using straight lengths, adjustable lengths, and elbows.
Make sure that a continuously DOWNWARD slope of no less than 1/4" per foot is maintained in the horizontal portion towards the units flue connection. If the total vent length exceeds 3', a condensate line must be connected to the unit utilizing the built-in drain tee. Dispose of condensate according to local code. (See Fig.1)
4. Support the vent system every 7' (2.1m) with support straps.
5. Once the vent system reaches the roof, fasten the Roof Flashing to the roof with appropriate fasteners for various building materials. Seal between the parts of roof flashing and roof. (See Fig.2)
6. Slide Storm Collar Ring onto Vertical Termination or the straight pipe if vertical extending is needed. Fasten Storm Collar Ring at the appropriate point. Use caution when loosening or tightening the Storm Collar Ring as to not cause damage to the clamp.* Slide the Vertical Termination or the straight pipe with the Storm Collar Ring down to rest on the Flashing. Use high temperature sealant to seal the Storm Collar Ring to the vent so that rain will not penetrate the roof opening. (See Fig.2)
* When fastening the Storm Collar to Vertical Termination, the Storm Collar Ring should not cover any portion of the label on Vertical Termination. This will help ensure the proper amount of air flow to Vertical Termination, which is necessary for proper combustion. (See Fig.2)
7. The vent system must terminate at least 2' higher than any portion of a building within 10' horizontally. Add additional Straight vent sections under the Vertical Termination if vertical extension is needed, and fasten Storm Collar Ring to the straight pipe. When the vent extends more than 32" high above the roofline it must be supported by support bracing.
8. Connect Vertical Termination or the pipe through the roof to vent system.

Table 1 Items for vertical installation in Extension Series

Description	Part Number
Concentric rain cap with Air Intake	CRCAI-1-F
Concentric storm collar ring	CSCR-1
Concentric roof flashing	CARF-1

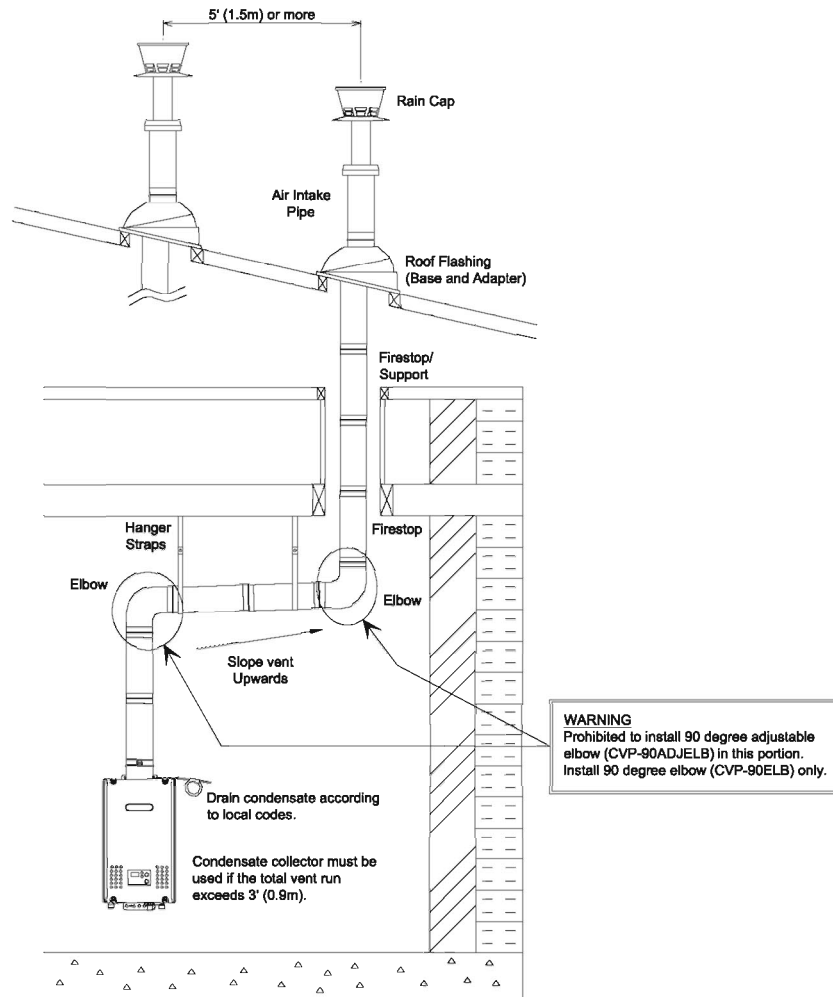


Fig.1 Vertical Installation

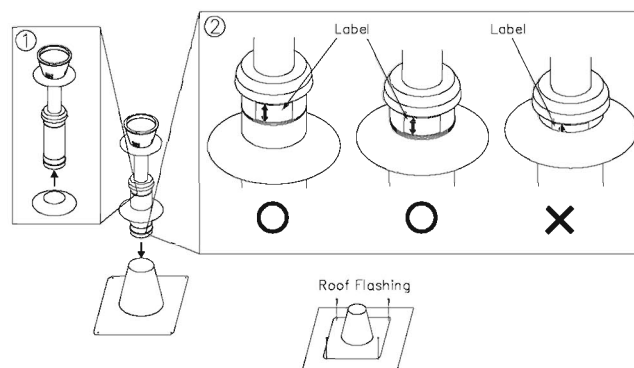


Fig.2 Detail of vertical installation

N-Vent

NORITZ AMERICA CORPORATION
 11160 Grace Avenue, Fountain Valley, CA 92708

www.noritz.com