

# Model NR71 Series Residential Tankless Water Heater Specification Sheet

- **Standard Input** - gas consumption ranges from 25,000 BTU/h to 180,000 BTU/h
- **Capacity Range** - flow rates from 0.5 gpm up to 7.1 gpm
- **Compact Design** - ANSI Z21.10.3/CSA 4.3 certified design that can be wall-mounted indoors (-SV model only) or installed outdoors with an -OD model
- **Durable Steel Casing with Polyester Coating**
- **Venting Options** - available in Power Vent (-SV) or Outdoor (-OD) model that requires 4" Category III stainless steel pipe
- **Direct Electronic Ignition**
- **Energy Factor** - 0.83 (NG) 0.83 (LP) for SV model  
0.82 (NG) 0.83 (LP) for OD model
- **Thermal Efficiency** - 83% efficient for use with natural gas or propane
- **Temperature Controls** - includes 120°F (default), 130°F, or 140°F standard temperature settings\*
- **Power Cord Installation Kit** - the SV model includes 6' power cord and provided wire connectors (*assembly required*)
- **Safety Devices** - Flame Sensor, Overheat Prevention Device, Lightning Protection Device, Freeze Protection
- **Additional Features** - Temperature Lockout, High Elevation Adjustment
- **12-Year\*\* Limited Heat Exchanger Warranty for Residential Use**
- **5-Year Limited Parts Warranty**
- **1-Year Reasonable Labor**
- **Approvals** - CSA, UPC\*\*\*, NSF, Low NOx Approved By SCAQMD (Rule 1146.2), Suitable for Installation in a Manufactured (Mobile) Home\*\*\*\*



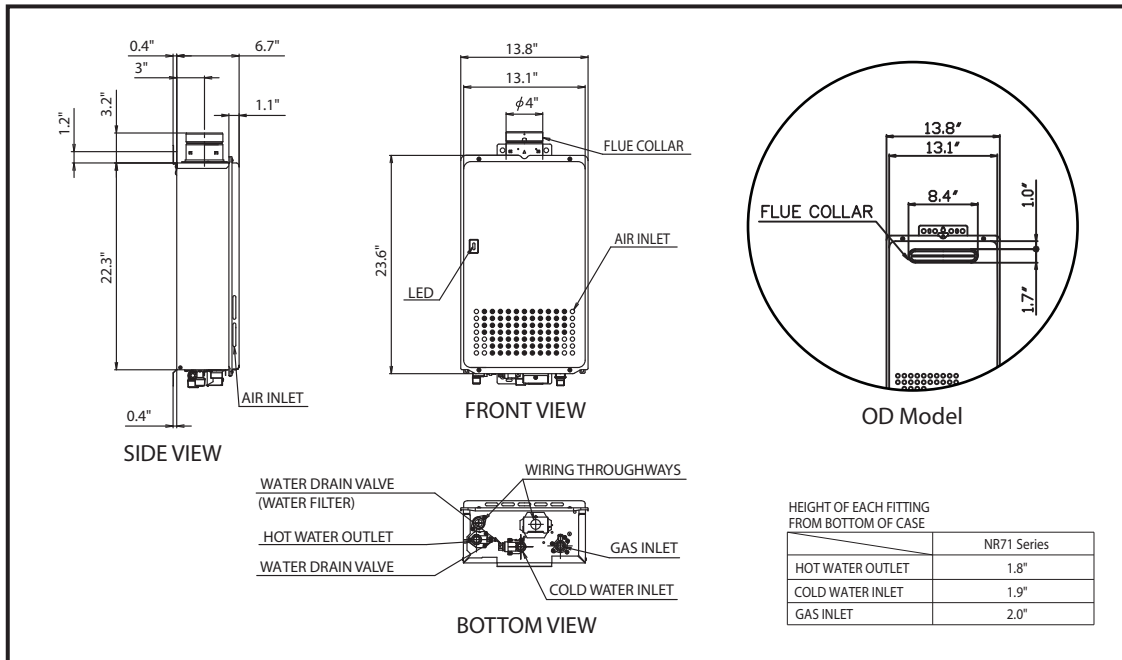
This model is eligible for the Federal tax credit of up to 10% of the water heater and installation costs (up to \$300) when installed in a residence between 1/1/2011 through 12/31/2011

<p><b>Model</b> NR71 - _____</p> <p><input type="checkbox"/> SV (Standard Vent)</p> <p><input type="checkbox"/> OD (Outdoor Vent)</p> <p><b>Accessories</b></p> <p><input type="checkbox"/> Outdoor Vent Cap for SV Model (#VC-3)</p> <p><input type="checkbox"/> Remote Controller (#RC-7649M)</p> <p><input type="checkbox"/> Remote Controller Cord (#RC-CORD10)</p> <p><input type="checkbox"/> Pipe Cover (#PC-1S)</p> <p><input type="checkbox"/> Isolator Valves (#IK-WV-7)</p> <p><input type="checkbox"/> Recess Box for OD Model (#RB-600)</p>
--



\* Optional remote thermostat can precisely adjust the output temperature from 100°F to 160°F in 5°F intervals  
 \*\* 3-Year Heat Exchanger warranty if supplied with pre-heated or circulated water, refer to the Noritz Limited Warranty for complete coverage details  
 \*\*\* This product complies with California AB 1953 Low Lead Law  
 \*\*\*\* Manufactured (Mobile) Home approval is valid for **OD** models only

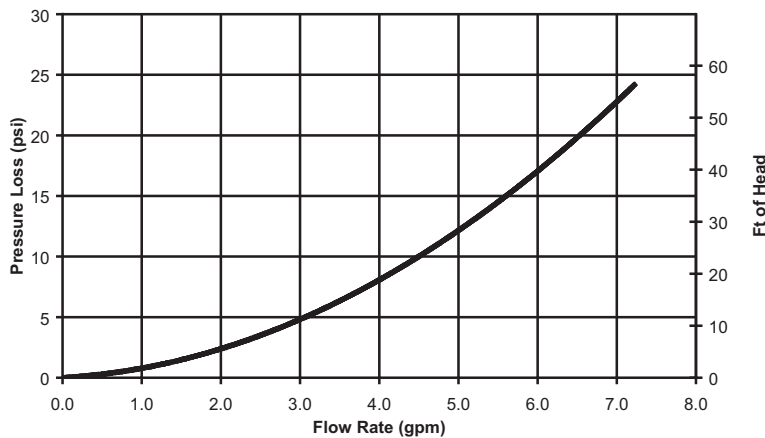
## Dimensions



## Flow Rates

Temperature Rise (°F)	30	40	45	50	60	70	80	90	100
Flow Rate (GPM)	7.1	7.1	6.3	5.8	4.8	4.1	3.6	3.2	2.9

## Pressure Loss



## Specifications

Model Name	NR71-SV	NR71-OD
Weight	41 (pounds)	
Water Holding Capacity	0.2 Gallon	
Connection Sizes	Water Inlet	3/4"
	Hot Water Outlet	3/4"
	Gas Inlet	3/4"
Power	Supply	120VAC (60Hz), less than 2 amperes
	Consumption	NG: 59W LP: 66W Freeze Prevention 141W
Freeze Prevention	Indoor: -30°F Outdoor: -4°F	Outdoor: -4°F
Temperature Settings	100-150°F (In 5°F intervals), 160°F (12 Options)	
Default Temperature Options	120, 130, 140°F (Default is 120°F)	