

# Tankless Water Heater Accessories

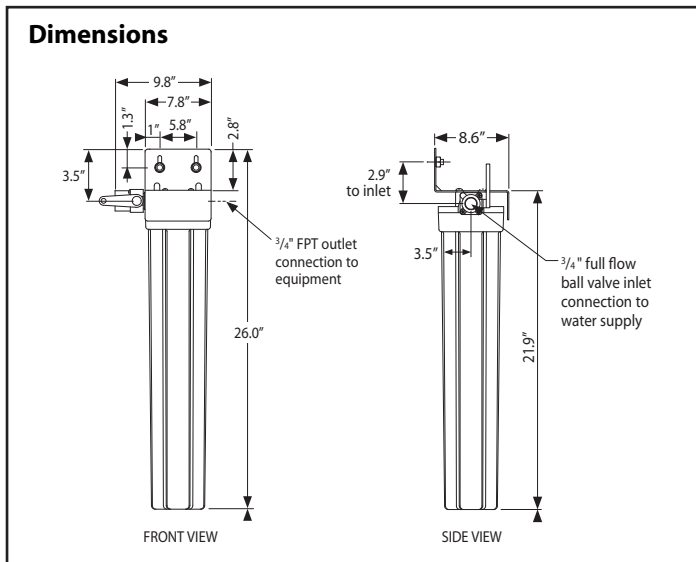
## Specification Sheet

### H2Flow Anti-Scale System

- Designed for all water heater types and models regardless of manufacturer
- Prevents scale formation to improve efficiency and prolongs the life of your water heater
- Uses no salt or chemicals and provides a more environmentally friendly alternative to water softeners
- Includes standard 3/4" connections with an inlet ball valve for fast servicing
- Low Maintenance - replace the H2Flow cartridge once every two years\*
- Also includes mounting bracket and filter wrench designed to make installations and maintenance quick and easy



*H2Flow (#H2F)*



**H2Flow Anti-Scale System**

H2Flow System (#H2F)

Replacement Cartridge (#H2FC)

**Compatible with All Water Heaters**

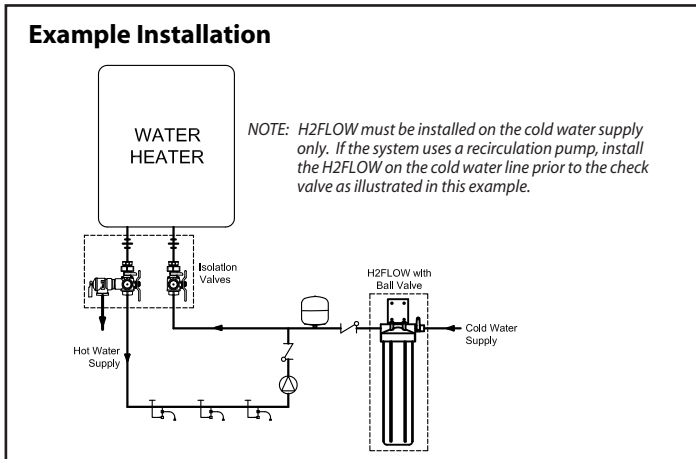
Storage Tank Water Heaters  
Gas or Electric Tankless Water Heaters

**Specifications**

Max. Operating Temperature: 100°F/38°C  
 Max. Operating Pressure: 90 psi/620.1 kPa  
 Inlet/Outlet Connections: 3/4" FNPT  
 Service Flow Rate: 0.5 to 10 GPM  
 Gallon Rating: Up to 6 GPM

**Water Chemistry and Limitations**

PH	6.5 to 8.5
Hardness (maximum)	75 grains (1300 ppm CaCO3)
Temperature	41°F to 100°F (5° to 40°C)
Chlorine	< 3 ppm
Iron (maximum)	0.3 mg/l
Manganese (maximum)	0.05 mg/l
Copper (maximum)	1.3 mg/l
Oil & H2S	none allowed
Polyphosphate	none allowed
Silica (maximum)	10 ppm



\*The effectiveness of the H2Flow cartridge will depend on the chemistry of the cold water supply. Refer to the Water Chemistry & Limitations chart located above. Changing the H2FC cartridge at least once every **TWO** years is recommended.