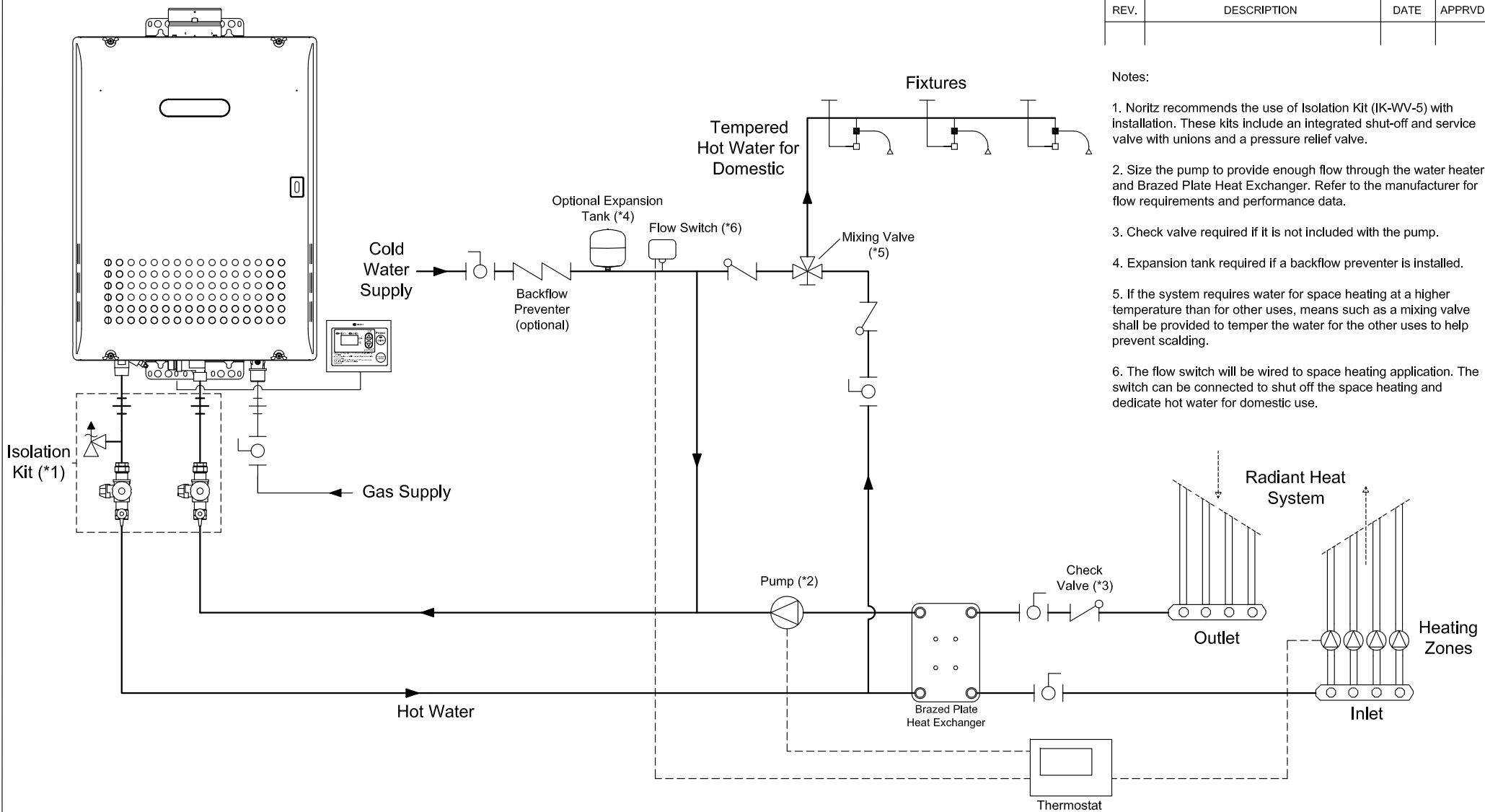


REVISIONS			
REV.	DESCRIPTION	DATE	APPRVD.



- Notes:
- Noritz recommends the use of Isolation Kit (IK-WV-5) with installation. These kits include an integrated shut-off and service valve with unions and a pressure relief valve.
  - Size the pump to provide enough flow through the water heater and Brazed Plate Heat Exchanger. Refer to the manufacturer for flow requirements and performance data.
  - Check valve required if it is not included with the pump.
  - Expansion tank required if a backflow preventer is installed.
  - If the system requires water for space heating at a higher temperature than for other uses, means such as a mixing valve shall be provided to temper the water for the other uses to help prevent scalding.
  - The flow switch will be wired to space heating application. The switch can be connected to shut off the space heating and dedicate hot water for domestic use.

11160 Grace Avenue  
Fountain Valley, California 92708  
866-7NORITZ (866-766-7489)  
www.noritz.com

**MODEL:**  
N-0931M

**APPLICATION:**  
Domestic  
Priority Switch  
Radiant Heating

**DRAWING NUMBER:**  
(7g)N931M

**DRAWING DATE:**  
September 22, 2008

- Noritz Accessories**
- RC-7649M (Remote Controller)
  - RC-CORD10 (10' Remote Controller Cord, optional in 26')
  - VC-4-1 (Outdoor Vent Cap, place on top of unit)

*Note: This diagram is for reference only. Installation must comply with State and Local Code, all gas and water pipe must be sized correctly to specific length, according to accepted engineering methods or the UPC Code for Noritz Water Heaters to operate correctly.*

- Shut-off Ball Valve
- Check Valve
- Union
- Pressure Relief Valve (Watts 174A, Zurn P3000BR, Cash Acme F-82)
- Aquastat (Honeywell Model #L6006A or L6006C)
- Pump
- Mixing Valve
- Thermal Expansion Tank