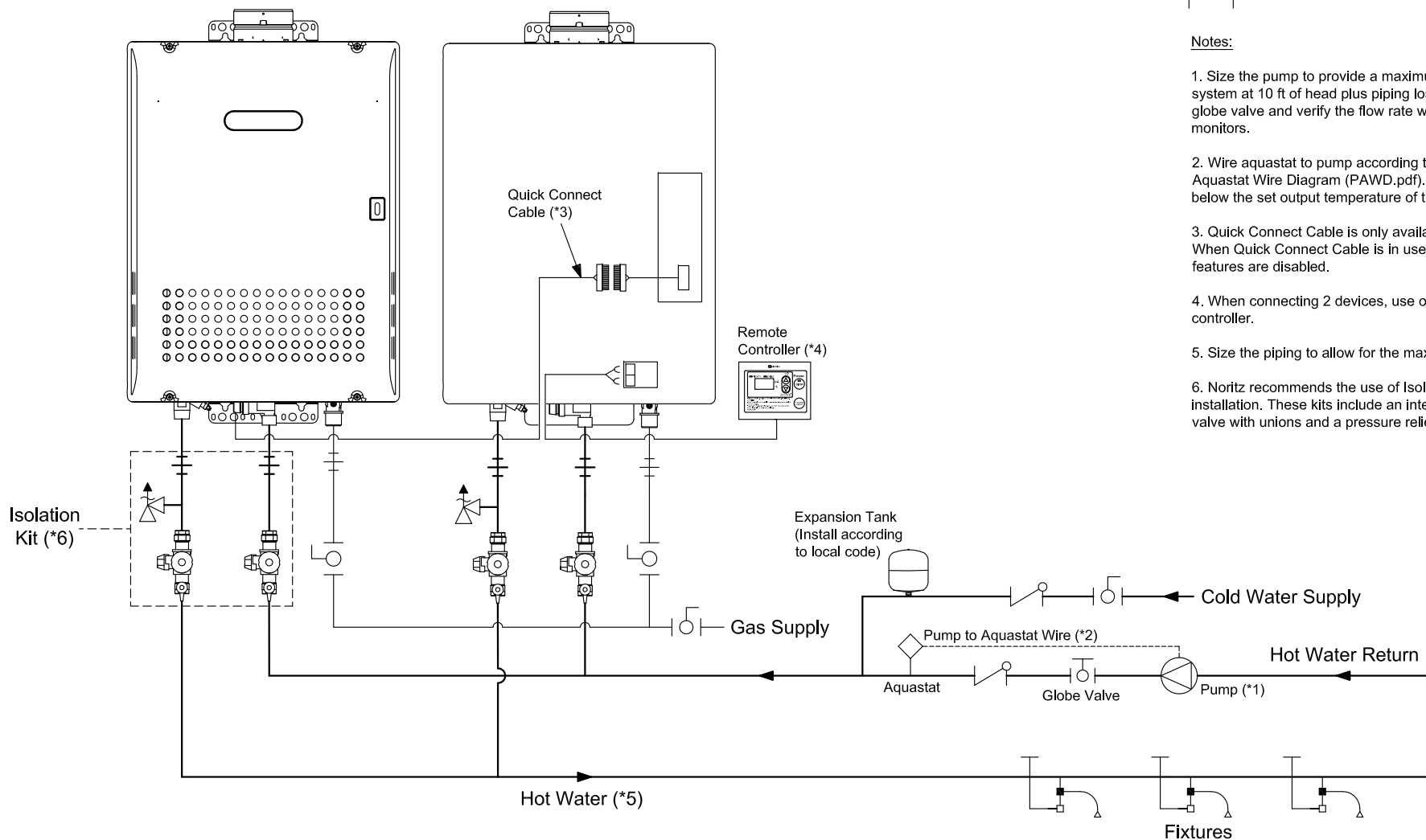


REVISIONS

REV.	DESCRIPTION	DATE	APPRVD.

Notes:

1. Size the pump to provide a maximum of 2 GPM through the system at 10 ft of head plus piping losses. Adjust the flow using a globe valve and verify the flow rate with the maintenance monitors.
2. Wire aquastat to pump according to "Circulation Pump to Aquastat Wire Diagram (PAWD.pdf)." Set the Aquastat to 10°F below the set output temperature of the thermostat.
3. Quick Connect Cable is only available for 2 unit Multi-System. When Quick Connect Cable is in use, pump control and tub alarm features are disabled.
4. When connecting 2 devices, use only a single remote controller.
5. Size the piping to allow for the maximum flow rates of the units.
6. Noritz recommends the use of Isolation Kit (IK-WV-5) with installation. These kits include an integrated shut-off and service valve with unions and a pressure relief valve.



11160 Grace Avenue
Fountain Valley, California 92708
866-7NORITZ (866-766-7489)
www.noritz.com

MODEL:

N-0931M

APPLICATION:

Domestic Hot Water
Quick Connect System
Recirculation

DRAWING NUMBER:

(2a2)N931M

DRAWING DATE:

September 22, 2008

Noritz Accessories



RC-7649M (Remote Controller)



RC-CORD10 (10' Remote Controller Cord, optional in 26')



VC-4-1 (Outdoor Vent Cap, place on top of unit)



QC-1M (Quick Connect Cable, for 2 unit Multi-System)

Note: This diagram is for reference only. Installation must comply with State and Local Code, all gas and water pipe must be sized correctly to specific length, according to accepted engineering methods or the UPC Code for Noritz Water Heaters to operate correctly.



Shut-off Ball Valve



Aquastat (Honeywell Model #L6006A or L6006C)



Check Valve



Pump



Union



Mixing Valve



Pressure Relief Valve (Watts 174A, Zurn P3000BR, Cash Acme F-82)



Thermal Expansion Tank