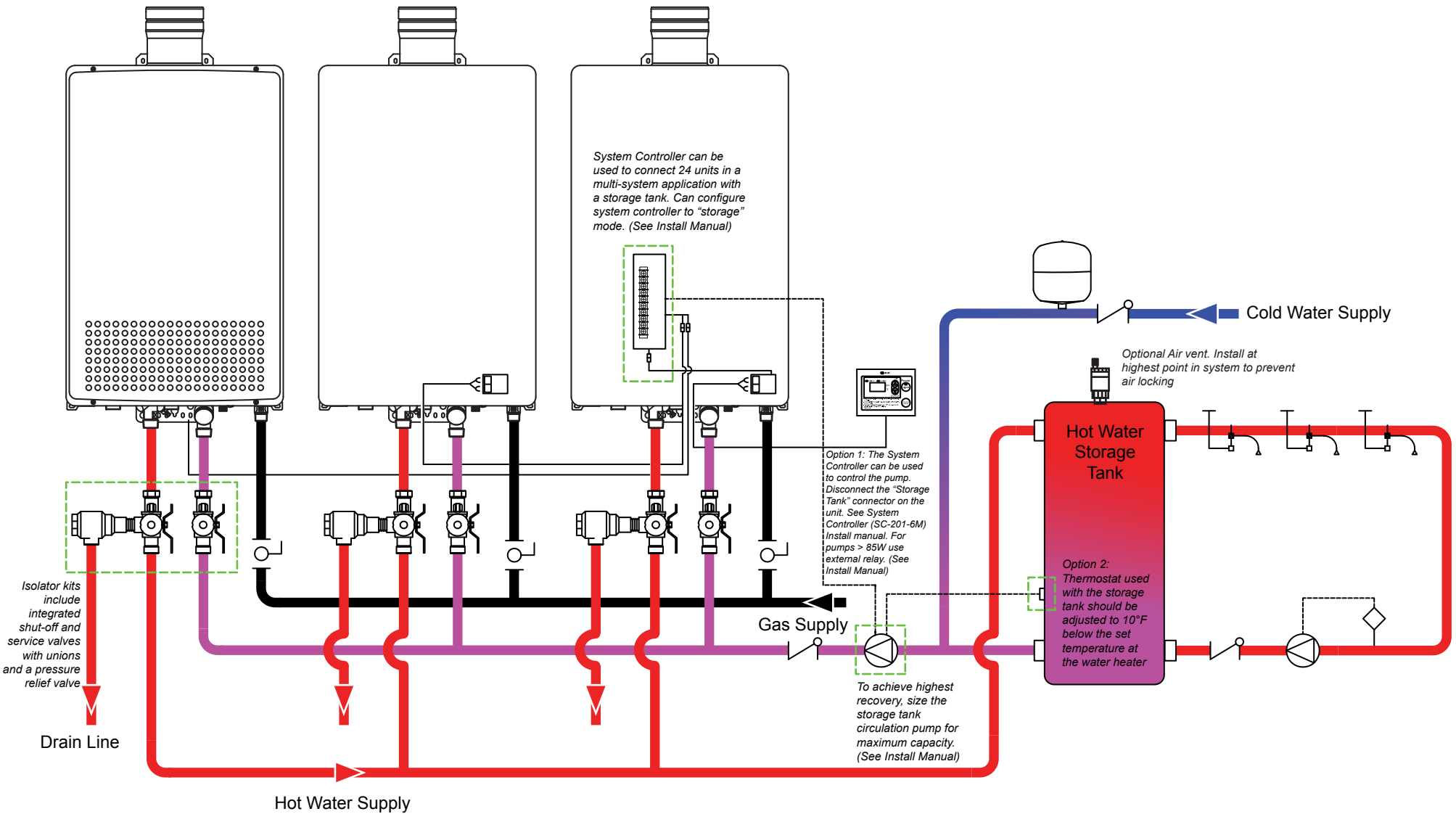


NC380-SV



NORITZ
 11160 Grace Avenue
 Fountain Valley, California 92708
 866-7NORITZ (866-766-7489)
 www.noritz.com

MODEL
 NC380 SERIES

APPLICATION
 COMMERCIAL RECIRCULATION
 MULTI-UNIT SYSTEM CONTROLLER-
 STORAGE TANK

DRAWING NUMBER
 (5)NC380-Commercial Recirculation-
 MSST.pdf

DRAWING DATE
 5/22/2014

EQUIPMENT LIST			
ITEM	PART #	QTY	
NORITZ TANKLESS WATER HEATER	NC380	2-24	
REMOTE CONTROLLER	RC-7649M	1	
REMOTE CONTROLLER CORD	RC-CORD10	1	
SYSTEM CONTROLLER	REFER MANUAL	N/A	
ISOLATOR KIT	IK-WV-200	2-24	
STORAGE TANK	FIELD SUPPLIED	1	
THERMOSTAT	FIELD SUPPLIED	1	
EXPANSION TANK	FIELD SUPPLIED	1	
RECIRCULATION PUMP	FIELD SUPPLIED	1	
AQUASTAT	FIELD SUPPLIED	1	
GLOBE VALVE	FIELD SUPPLIED	1	
CHECK VALVE	FIELD SUPPLIED	1	
AIR VENT	FIELD SUPPLIED	1	

Note: This diagram is for reference only. Installation must comply with State and Local Code, all gas and water pipe must be sized correctly to specific length, according to accepted engineering methods or the UPC Code for Noritz Water Heaters to operate correctly.

	Shut-off Ball Valve		Aquastat (Honeywell Model #L6006A or L6006C)
	Check Valve		Pump
	Union		Mixing Valve
	Pressure Relief Valve (Watts 174A, Zurn P3000BR, Cash Acme F-82)		Thermal Expansion Tank