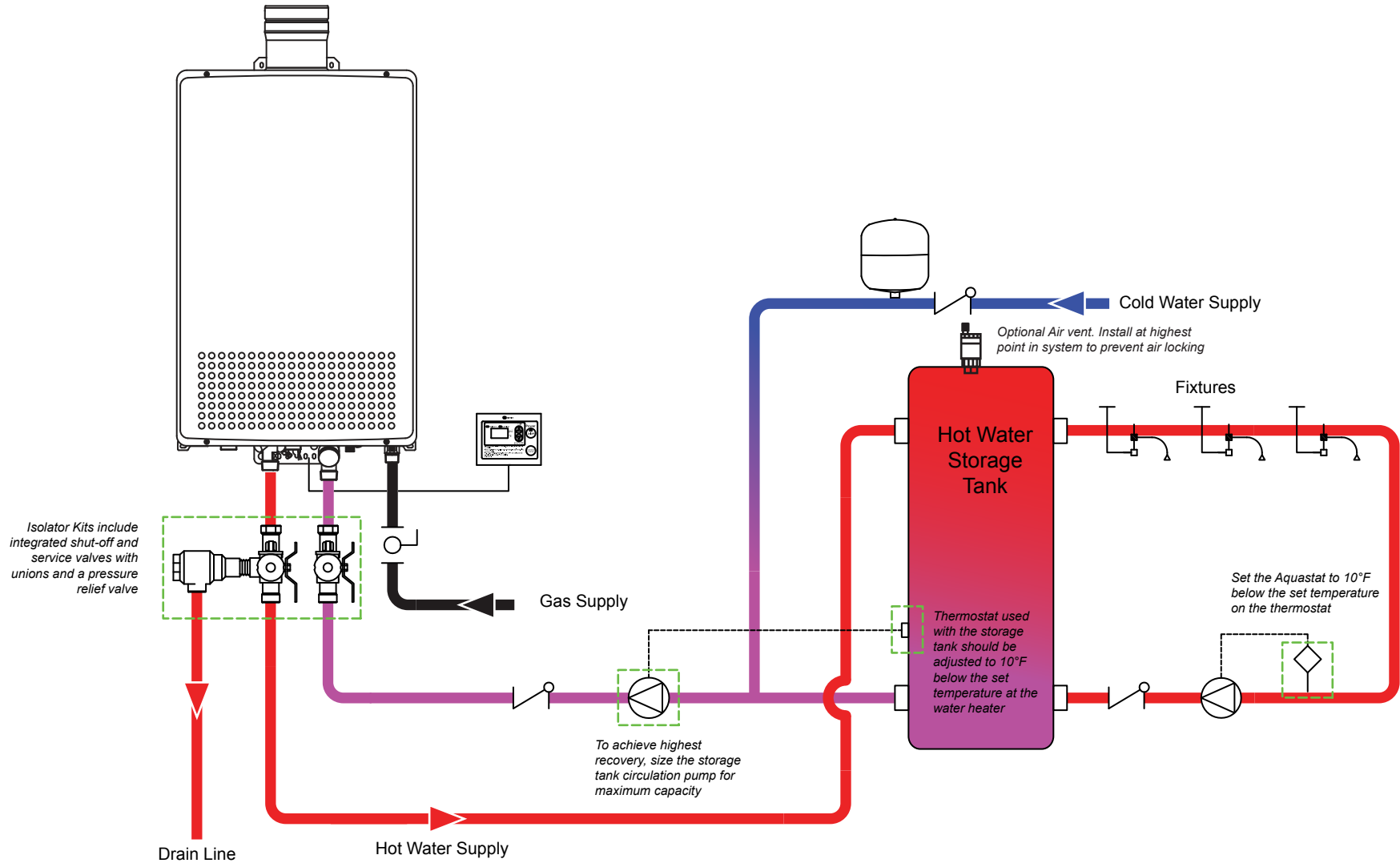


**NC380-SV**



11160 Grace Avenue  
Fountain Valley, California 92708  
866-7NORITZ (866-766-7489)  
www.noritz.com

|                       |                                       |
|-----------------------|---------------------------------------|
| <b>MODEL</b>          | NC380 SERIES                          |
| <b>APPLICATION</b>    | COMMERCIAL RECIRCULATION-STORAGE TANK |
| <b>DRAWING NUMBER</b> | (4)NC380-Recirculation-QC.pdf         |
| <b>DRAWING DATE</b>   | 5/22/2014                             |

| EQUIPMENT LIST         |                |     |
|------------------------|----------------|-----|
| ITEM                   | PART #         | QTY |
| CHECK VALVE            | FIELD SUPPLIED | 2   |
| EXPANSION TANK         | FIELD SUPPLIED | 1   |
| RECIRCULATION PUMP     | FIELD SUPPLIED | 1   |
| AQUASTAT               | FIELD SUPPLIED | 1   |
| GLOBE VALVE            | FIELD SUPPLIED | 1   |
| NORITZ HEATER          | NC380          | 1   |
| REMOTE CONTROLLER      | RC-7649M       | 1   |
| REMOTE CONTROLLER CORD | RC-CORD10      | 1   |
| ISOLATOR KIT           | IK-WV-200      | 1   |
| AIR VENT               | FIELD SUPPLIED | 1   |

Note: This diagram is for reference only. Installation must comply with State and Local Code, all gas and water pipe must be sized correctly to specific length, according to accepted engineering methods or the UPC Code for Noritz Water Heaters to operate correctly.

|  |  |  |  |
|--|--|--|--|
|  | Shut-off Ball Valve  |  | Aquastat (Honeywell Model #L6006A or L6006C) |
|  | Check Valve  |  | Pump   |
|  | Union  |  | Mixing Valve                                 |
|  | Pressure Relief Valve (Watts 174A, Zurn P3000BR, Cash Acme F-82) |  | Thermal Expansion Tank                       |