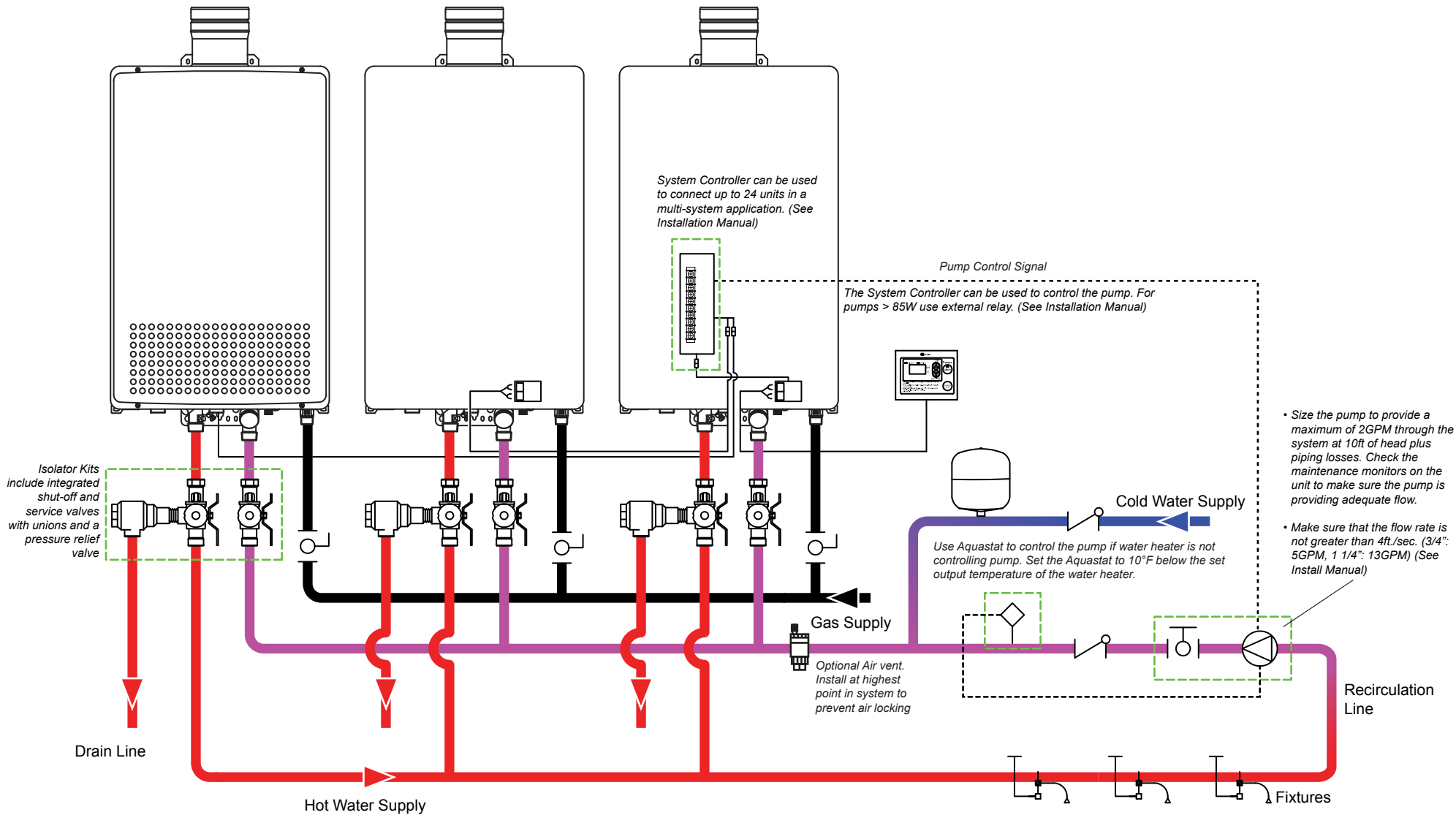


NC380-SV



11160 Grace Avenue
Fountain Valley, California 92708
866-7NORITZ (866-766-7489)
www.noritz.com

MODEL	NC380 SERIES
APPLICATION	COMMERCIAL RECIRCULATION MULTI-UNIT SYSTEM CONTROLLER
DRAWING NUMBER	(3)NC380-Recirculation.pdf
DRAWING DATE	5/22/2014

EQUIPMENT LIST			
ITEM	PART #		
CHECK VALVE	FIELD SUPPLIED	2	
EXPANSION TANK	FIELD SUPPLIED	1	
RECIRCULATION PUMP	FIELD SUPPLIED	1	
AQUASTAT	FIELD SUPPLIED	1	
GLOBE VALVE	FIELD SUPPLIED	1	
NORITZ HEATER	NC380	1-24	
REMOTE CONTROLLER	RC-7649M	1	
REMOTE CONTROLLER CORD	RC-CORD10	1	
ISOLATOR KIT	IK-WV-200	1-24	
SYSTEM CONTROLLER	REFER MANUAL	N/A	
AIR VENT	FIELD SUPPLIED	1	

Note: This diagram is for reference only. Installation must comply with State and Local Code, all gas and water pipe must be sized correctly to specific length, according to accepted engineering methods or the UPC Code for Noritz Water Heaters to operate correctly.

	Shut-off Ball Valve		Aquastat (Honeywell Model #L6006A or L6006C)
	Check Valve		Pump
	Union		Mixing Valve
	Pressure Relief Valve (Watts 174A, Zurn P3000BR, Cash Acme F-82)		Thermal Expansion Tank