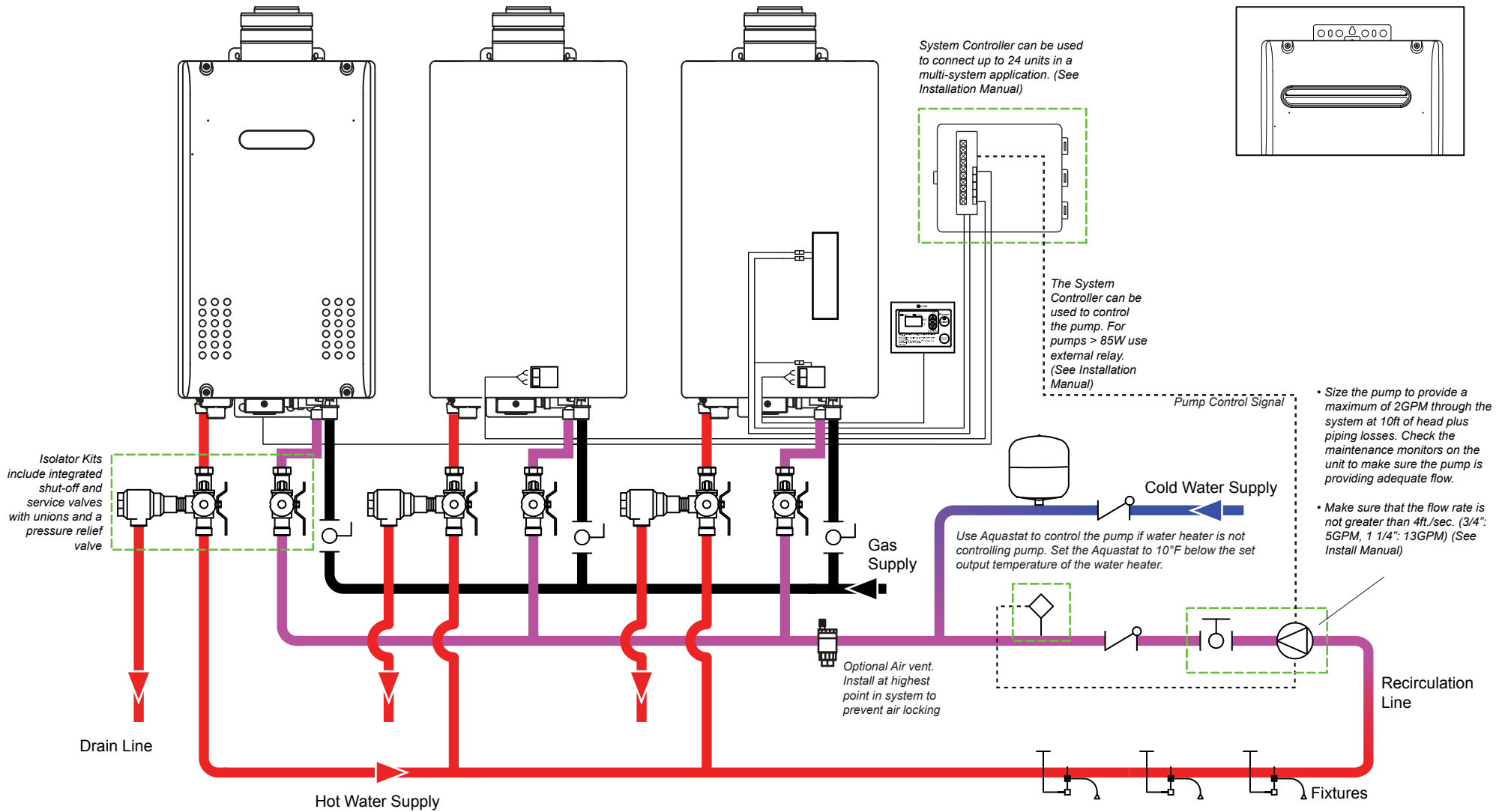


NC1991-DVC

NC1991-OD



11160 Grace Avenue
Fountain Valley, California 92708
866-7NORITZ (866-766-7489)
www.noritz.com

MODEL	EQUIPMENT LIST		
NC1991 SERIES	ITEM	PART #	QTY
APPLICATION COMMERCIAL RECIRCULATION MULTI-UNIT SYSTEM CONTROLLER	CHECK VALVE	FIELD SUPPLIED	2
	EXPANSION TANK	FIELD SUPPLIED	1
	RECIRCULATION PUMP	FIELD SUPPLIED	1
	AQUASTAT	FIELD SUPPLIED	1
	GLOBE VALVE	FIELD SUPPLIED	1
	NORITZ HEATER	NC1991	1-24
	REMOTE CONTROLLER	RC-9018M	1
	REMOTE CONTROLLER CORD	RC-CORD10	1
	ISOLATOR KIT	IK-WV-200	1-24
	SYSTEM CONTROLLER	REFER MANUAL	N/A
DRAWING NUMBER (3)NC1991-Recirculation.pdf	AIR VENT	FIELD SUPPLIED	1
DRAWING DATE 5/22/2014			

Note: This diagram is for reference only. Installation must comply with State and Local Code, all gas and water pipe must be sized correctly to specific length, according to accepted engineering methods or the UPC Code for Noritz Water Heaters to operate correctly.

