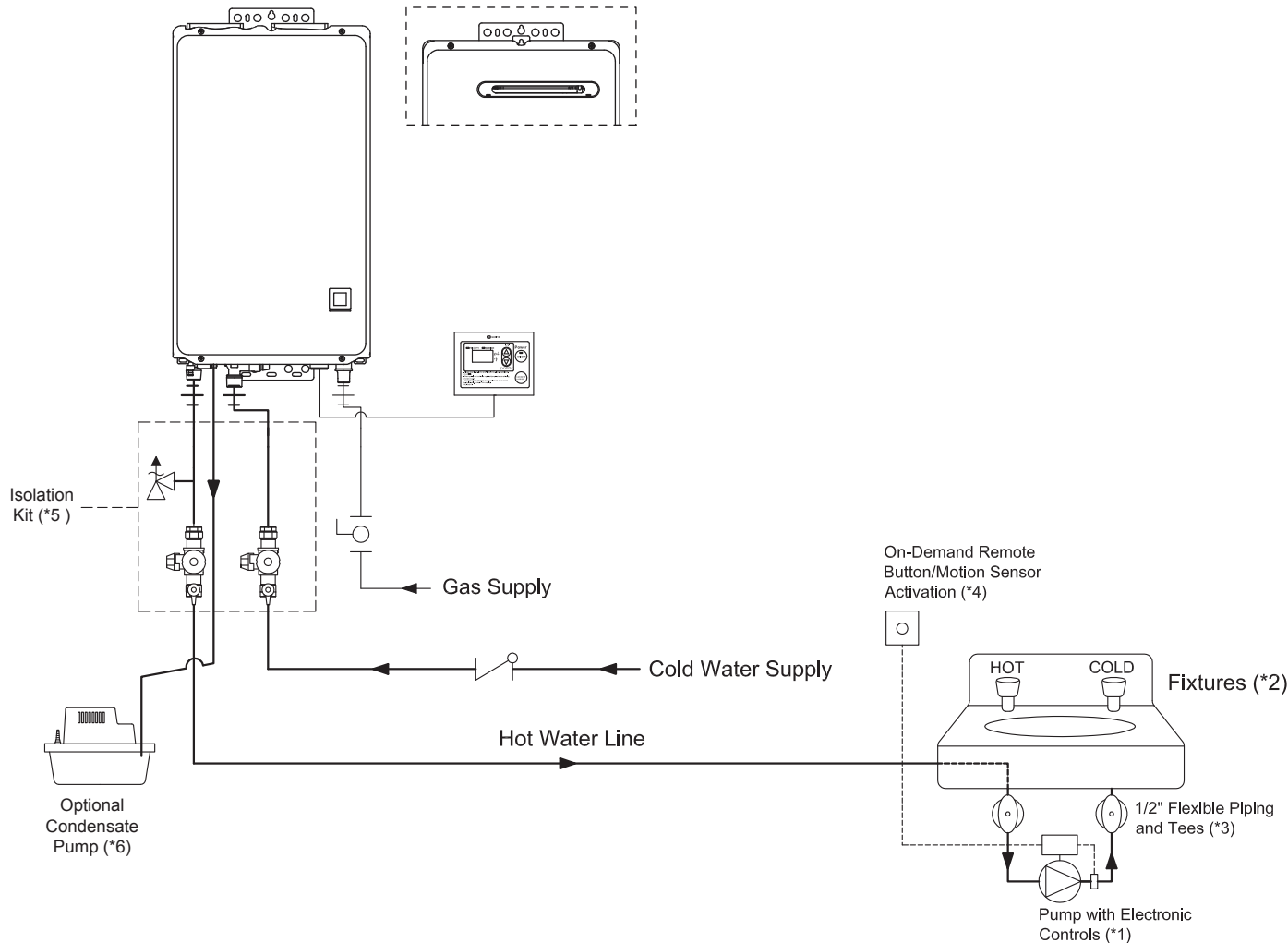


NRC661-DV

NRC661-OD



REVISIONS

| REV. | DESCRIPTION | DATE | APPRVD. |
|------|-------------|------|---------|
| | | | |

Notes:

*1. Choose the system with a properly sized pump to provide enough flow through the system with the head pressure equal to the loss through the water heater plus piping losses. Contact the manufacturer for available models and specifications to see which is most compatible with the plumbing system.

*2. The best location when installing the pump and included accessories would be at the fixture that is farthest away from the water heater. In case hot water needs to be delivered to two different directions from the water heater, add additional On-Demand recirculation system may be needed.

*3. Shut off the water supply to the system before proceeding with the installation of accessories.

*4. On-Demand recirculation systems are operated with the use of a push-button or a motion sensor that is activated by the customer. This significantly reduces the number of circulation cycles throughout the day while reducing operating costs and wear on the water heater. An On-Demand system is required to maintain the full Noritz residential warranty. Refer to the Noritz limited warranty for complete details.

*5. Noritz recommends the use of Isolation Kit (IK-WV-200) with installation. Connections are available in Threaded or Sweat. These kits include an integrated shut-off and service valve with unions and a pressure relief valve.

*6. Use condensate pump when drain is located far away from water heater and size for desired lift distance. For the condensate drain line, use 1/2" PVC pipe. Slope horizontal pipe downwards 1/4" per foot towards drain or condensate pump. Do not submerge or block end of drain pipe.



11160 Grace Avenue
Fountain Valley, California 92708
866-7NORITZ (866-766-7489)
www.noritz.com

MODEL:

NRC661-Series

APPLICATION:

Domestic Hot Water
On-Demand Recirculation

DRAWING NUMBER:

(3)NRC611-DHW-ONDEMAND
RECIRCULATION

DRAWING DATE:

7/23/2014

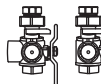
Noritz Accessories



RC-7651M (Remote Controller)



RC-CORD10 (10' Remote
Controller Cord, optional in 26')



IK-WV-200 (Isolation Kit)

Note: *This diagram is for reference only. Installation must comply with State and Local Code, all gas and water pipe must be sized correctly to specific length, according to accepted engineering methods or the UPC Code for Noritz Water Heaters to operate correctly.*



Shut-off Ball Valve



Check Valve



Union



Pressure Relief Valve (Watts 174A,
Zurn P3000BR, Cash Acme F-82)



Aquastat (Honeywell Model
#L6006A or L6006C)



Pump



Mixing Valve



Thermal Expansion Tank