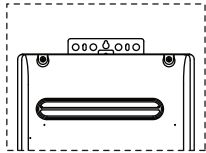
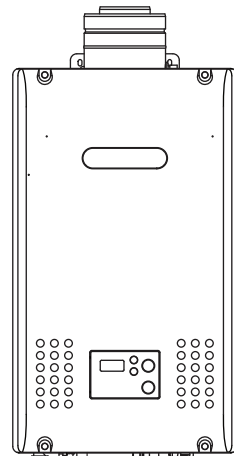


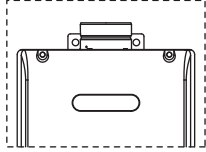
NR981-OD



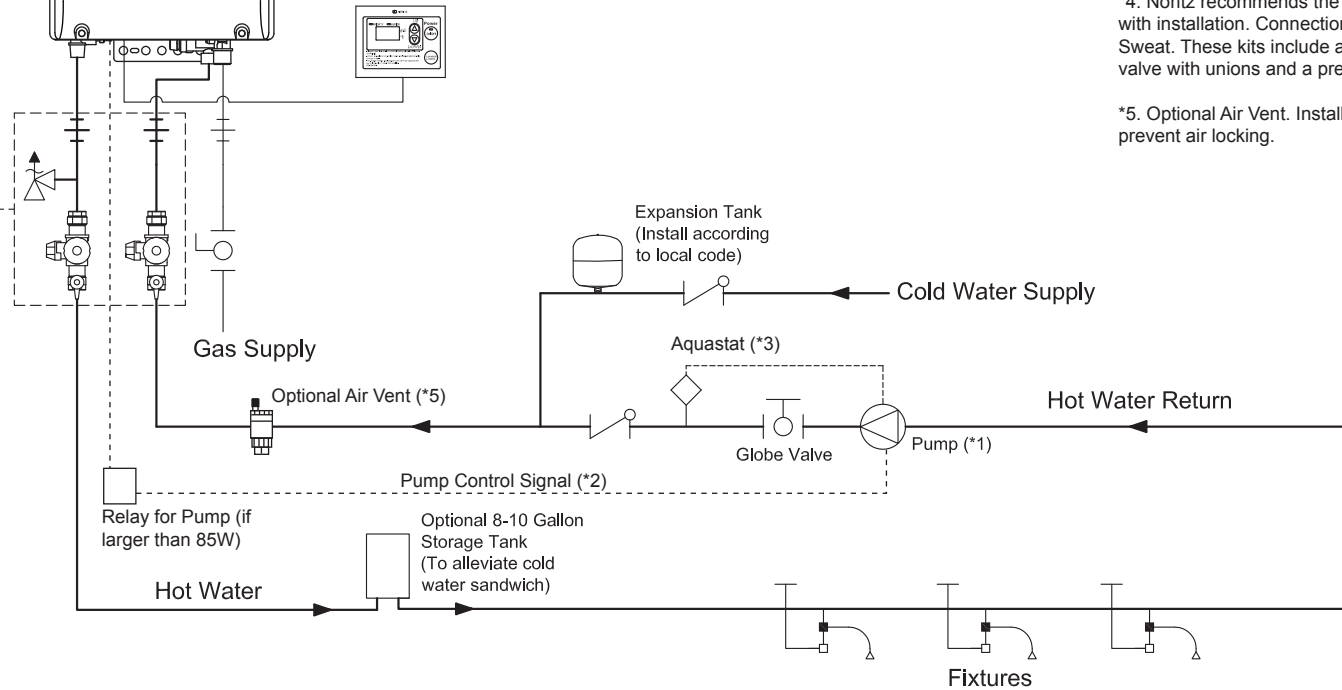
NR981-DVC



NR981-SV



Isolation Kit (*3)



REVISIONS

REV.	DESCRIPTION	DATE	APPRVD.

Notes:

*1. Size the pump to provide a maximum of 2 GPM through the system at 10 ft. of head plus piping losses. Adjust the flow using a globe valve and verify the flow rate with the maintenance monitors.

*2. Pump Control Signal is the preferred method to control the recirculation pump. For pumps larger than 85W, a relay connection must be used. If the Pump Control Signal is not used, an Aquastat may be used to control the pump.

*3. Use an Aquastat if the water heater is not controlling the pump. Set the Aquastat to 10°F (5°C) below the set output temperature.

*4. Noritz recommends the use of Isolation Kit (IK-WV-200) with installation. Connections are available in Threaded or Sweat. These kits include an integrated shut-off and service valve with unions and a pressure relief valve.

*5. Optional Air Vent. Install at highest point in system to prevent air locking.



11160 Grace Avenue
Fountain Valley, California 92708
866-7NORITZ (866-766-7489)
www.noritz.com

MODEL:

NR981-Series

APPLICATION:

Domestic Hot Water
Recirculation

DRAWING NUMBER:

NR981-DHW-RECIRCULATION

DRAWING DATE:

2/6/2014

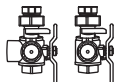
Noritz Accessories



RC-7651M (Remote Controller)



RC-CORD10 (10' Remote
Controller Cord, optional in 26')



IK-WV-200 (Isolation Kit)

Note: This diagram is for reference only. Installation must comply with State and Local Code, all gas and water pipe must be sized correctly to specific length, according to accepted engineering methods or the UPC Code for Noritz Water Heaters to operate correctly.



Shut-off Ball Valve



Check Valve



Union



Pressure Relief Valve (Watts 3L,
Zurn P1000A, Cash Acme FWL-2)



Aquastat (Honeywell Model
#L6006A or L6006C)



Pump



Mixing Valve



Thermal Expansion Tank