

# N-Vent SYSTEM (concentric) INSTALLATION INSTRUCTION

## Snorkel Kit Installation



**warning**

Failure to follow the installation instructions could cause FIRE, CARBON MONOXIDE POISONING, or DEATH.



**caution**

- The edges of sheet metal parts may be sharp. Always wear gloves and appropriate eye, foot, and other protections when handling these products.
- It is recommended that experienced professionals familiar with the operation and maintenance of gas burning appliances and vent/air intake system install this system. These instructions are a guide to assist a professional installer.
- Before commencing installation, please read the installation instructions carefully.
- Failure to follow the installation instructions could cause not only the lower performance of appliance but also property damage or personal injury.
- This vent system is a special stainless steel vent system for gas burning appliances, Category, II, III, IV.
- Different Manufacturers have Different Joint Systems and Adhesives. Do Not Mix Pipe, Fittings, or Joining Methods from Different Manufacturers.
- Examine all components for possible shipping damage prior to installation.

Fig.1 Included Accessories

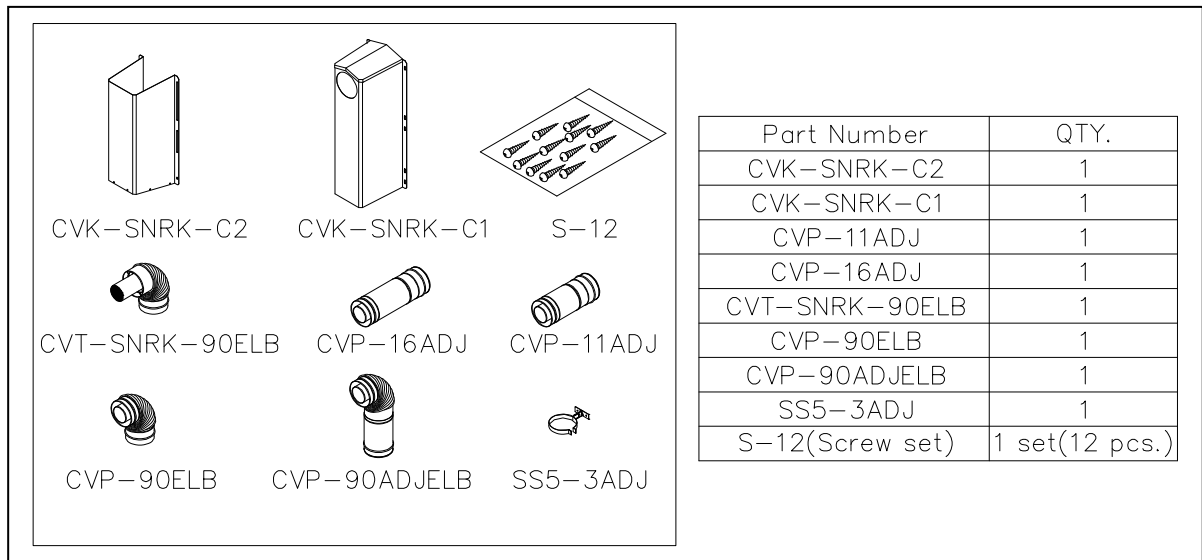


Fig.2 Outline of vent installation

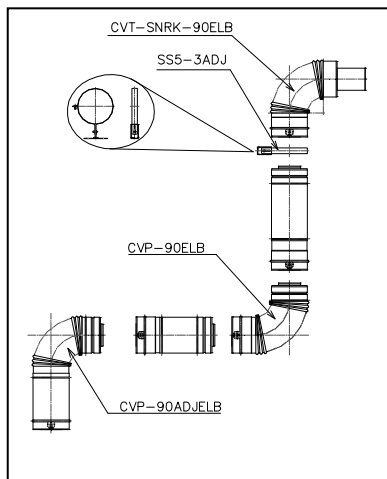


Fig.3 Dimensions of case

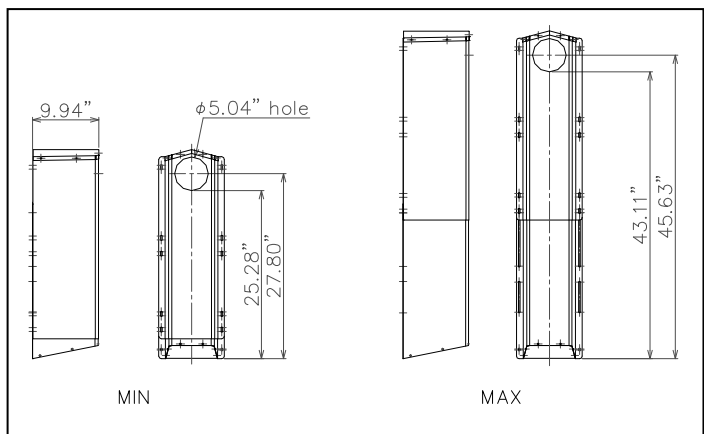
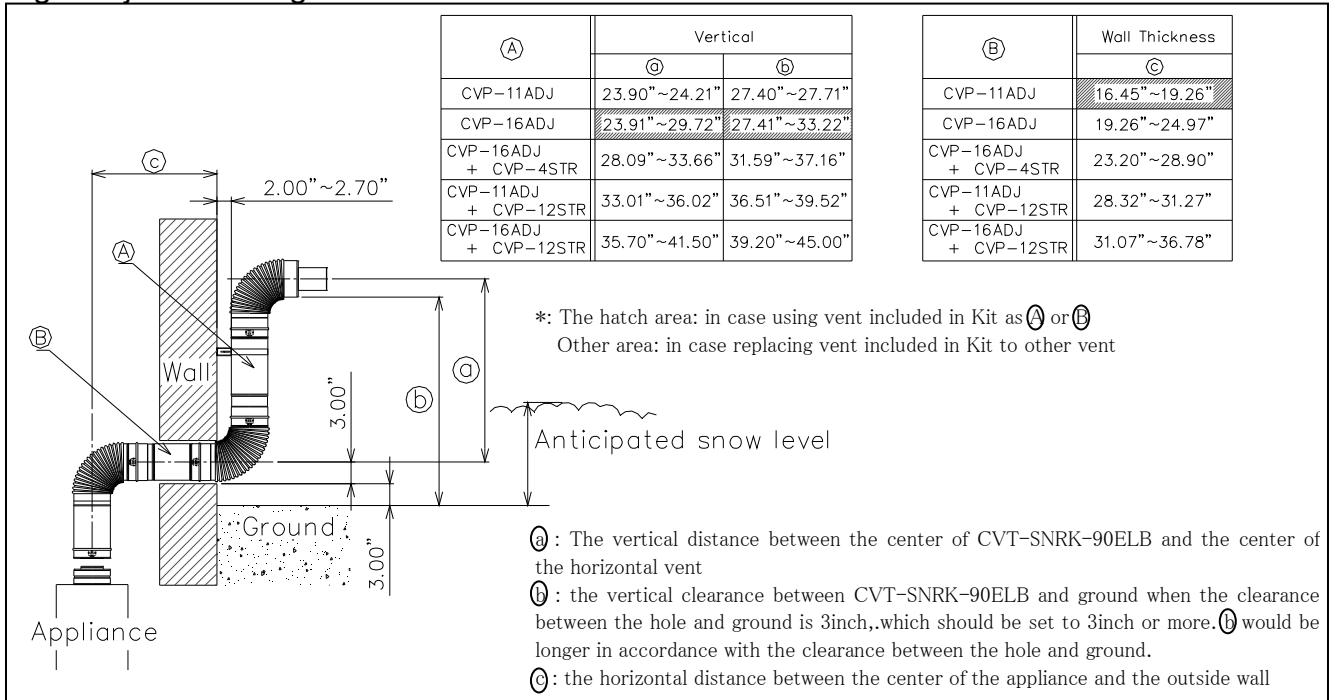


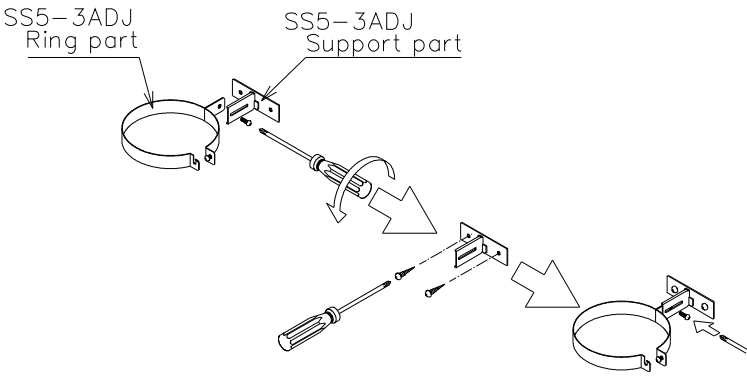
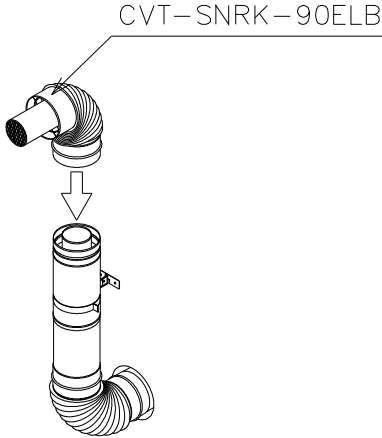
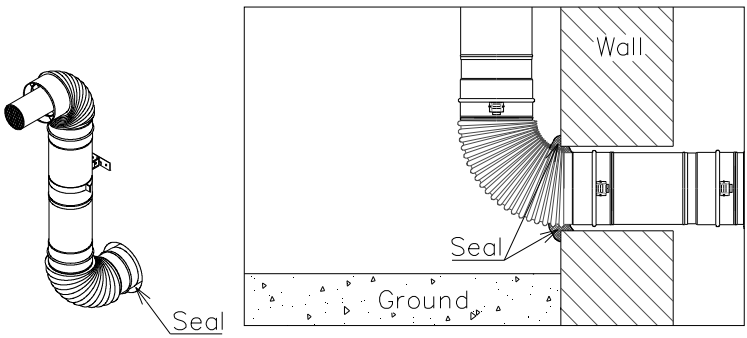
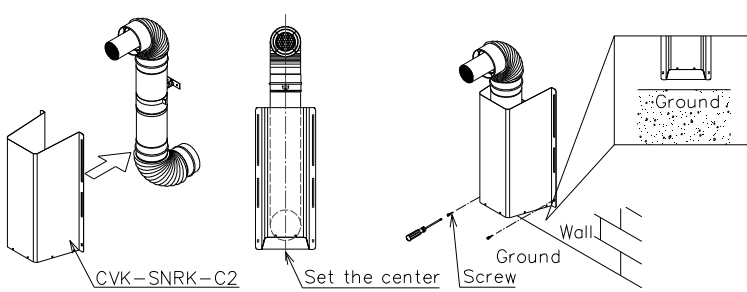
Fig.4 Adjustable range of vertical and horizontal distance

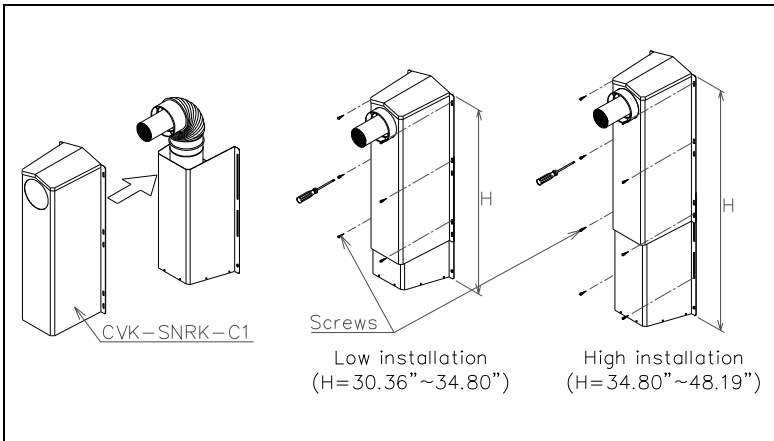


### Installation of Snorkel Kit

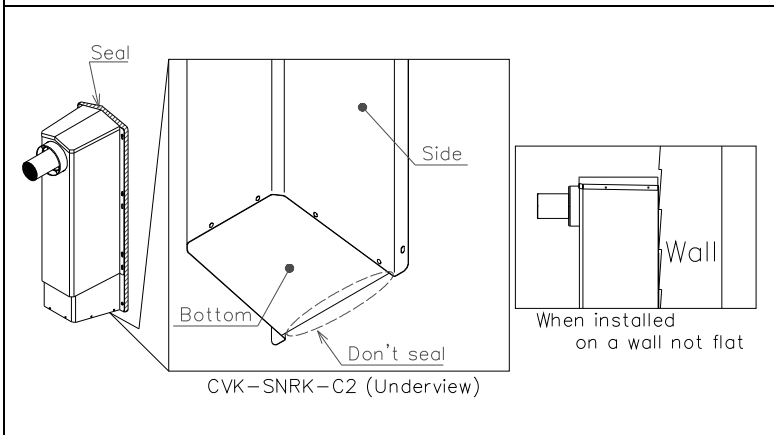
To install, follow the same instruction procedures as shown in N-Vent (Concentric) installation instruction.

	<p>Check the location of appliance and the Termination of Snorkel Kit. Install the appliance on the indoor wall in accordance with the appliance installation instruction. Cut a 6" diameter opening with MIN 3inch clearance from grade, covering the flue outlet of the appliance to prevent debris from entering. Put the horizontal vent having length enough through the wall, referring to Fig.4. Connect it with CVP-90ADJELB in the room. Connect CVP-90ADJELB to appliance, adjusting the vertical length.</p>
	<p>Connect CVP-90ELB and the vertical vent for proper clearance. Maintain clearances in accordance with ANSI Z223.1/NFPA54 or CGA-B149 to other local installation codes and requirements of gas supplier. Refer to Fig.4.</p>

 <p>SS5-3ADJ Ring part</p> <p>SS5-3ADJ Support part</p>	<p>Fasten vent on the wall with SS5-3ADJ as shown on the left. The clearance between the vent and the indoor wall can be adjusted from 2.0 to 2.7inch.</p>
 <p>CVT-SNRK-90ELB</p>	<p>Attach CVT-SNRK-90ELB to the vertical vent.</p>
 <p>Seal</p> <p>Wall</p> <p>Ground</p>	<p>Properly seal any gaps with appropriate sealant. It can not be sealed when the case is mounted on the wall.</p>
 <p>CVK-SNRK-C2</p> <p>Set the center</p> <p>Ground</p> <p>Wall</p> <p>Screw</p>	<p>Attach CVK-SNRK-C2 on the outdoor wall by 2 screws provided, adjusting the center of the case to the center of the vent. Maintain clearance from case and ground.</p>



Insert CVT-SNRK-90ELB into the 5" diameter hole of upper part of CVK-SNRK-C1. Install with the proper length protruding through the case.  
 Fasten CVK-SNRK-C1 and C2 with 6 or 8 screws provided. Keep the distance between screws nearly equal so that they are fixed firmly.



Properly seal between Case and the outdoor wall.  
 Do not seal slit (drain) at the bottom of CVK-SNRK-C2.  
 Use packing to seal when installed on a not flat wall.

**N-Vent**  
 NORITZ AMERICA CORPORATION  
 11160 Grace Avenue, Fountain Valley, CA 92708  
 www.noritz.com