
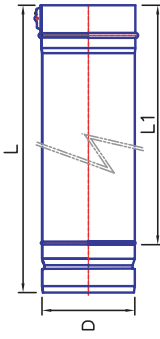
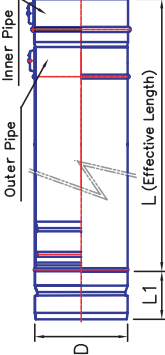

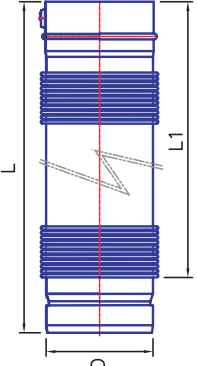

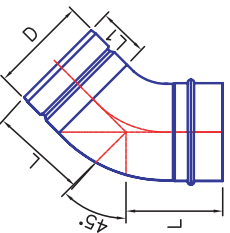

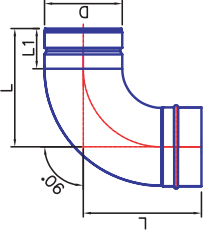

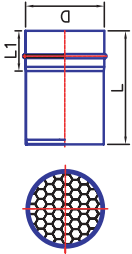

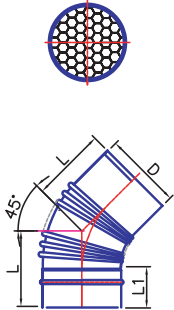
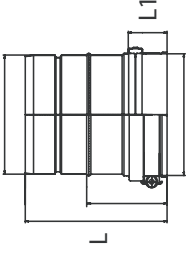
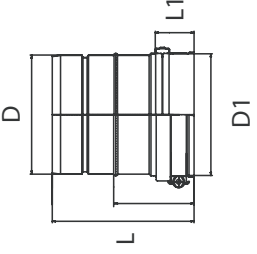



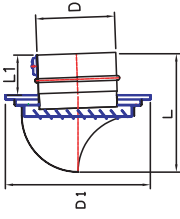

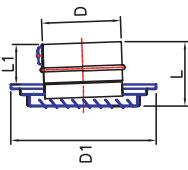

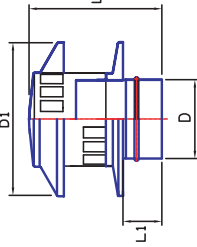

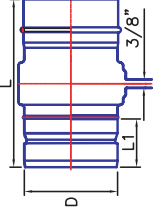
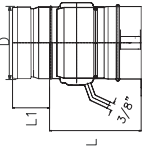
# N-Vent Pieces (1)

Category	Type	Photo	Description	Drawing	Dimensions (Inches)																											
Vent Pipe	Rigid		12" Straight 24" Straight 36" Straight		<table border="1"> <thead> <tr> <th>SIZE</th> <th>D</th> <th>L1</th> <th>L</th> <th>Part Number</th> </tr> </thead> <tbody> <tr> <td rowspan="3">4</td> <td rowspan="3">4</td> <td>11.8</td> <td>13.86</td> <td>VP4-12STR</td> </tr> <tr> <td>23.6</td> <td>25.67</td> <td>VP4-24STR</td> </tr> <tr> <td>35.5</td> <td>37.48</td> <td>VP4-36STR</td> </tr> <tr> <td rowspan="3">5</td> <td rowspan="3">5</td> <td>11.8</td> <td>14.49</td> <td>VP5-12STR</td> </tr> <tr> <td>23.6</td> <td>26.3</td> <td>VP5-24STR</td> </tr> <tr> <td>35.5</td> <td>38.1</td> <td>VP5-36STR</td> </tr> </tbody> </table>	SIZE	D	L1	L	Part Number	4	4	11.8	13.86	VP4-12STR	23.6	25.67	VP4-24STR	35.5	37.48	VP4-36STR	5	5	11.8	14.49	VP5-12STR	23.6	26.3	VP5-24STR	35.5	38.1	VP5-36STR
	SIZE	D	L1	L	Part Number																											
	4	4	11.8	13.86	VP4-12STR																											
23.6			25.67	VP4-24STR																												
35.5			37.48	VP4-36STR																												
5	5	11.8	14.49	VP5-12STR																												
		23.6	26.3	VP5-24STR																												
		35.5	38.1	VP5-36STR																												
Adjustable Vent Length (Telescoping)	Photo Currently Not Available	7" - 9.4" Adjustable 9" - 13.4" Adjustable 13" - 21.4" Adjustable		<table border="1"> <thead> <tr> <th>SIZE</th> <th>D</th> <th>L1</th> <th>L</th> <th>Part Number</th> </tr> </thead> <tbody> <tr> <td rowspan="3">4</td> <td rowspan="3">4</td> <td rowspan="3">2.05</td> <td>6.8 ~ 9.1</td> <td>VP4-9.4ADJ</td> </tr> <tr> <td>9.5 ~ 14.65</td> <td>VP4-13.4ADJ</td> </tr> <tr> <td>15.4 ~ 26.5</td> <td>VP4-21.4ADJ</td> </tr> <tr> <td rowspan="3">5</td> <td rowspan="3">5</td> <td rowspan="3">2.68</td> <td>6.8 ~ 9.1</td> <td>VP5-9.4ADJ</td> </tr> <tr> <td>9.5 ~ 14.65</td> <td>VP5-13.4ADJ</td> </tr> <tr> <td>15.4 ~ 26.5</td> <td>VP5-21.4ADJ</td> </tr> </tbody> </table>	SIZE	D	L1	L	Part Number	4	4	2.05	6.8 ~ 9.1	VP4-9.4ADJ	9.5 ~ 14.65	VP4-13.4ADJ	15.4 ~ 26.5	VP4-21.4ADJ	5	5	2.68	6.8 ~ 9.1	VP5-9.4ADJ	9.5 ~ 14.65	VP5-13.4ADJ	15.4 ~ 26.5	VP5-21.4ADJ					
SIZE	D	L1	L	Part Number																												
4	4	2.05	6.8 ~ 9.1	VP4-9.4ADJ																												
			9.5 ~ 14.65	VP4-13.4ADJ																												
			15.4 ~ 26.5	VP4-21.4ADJ																												
5	5	2.68	6.8 ~ 9.1	VP5-9.4ADJ																												
			9.5 ~ 14.65	VP5-13.4ADJ																												
			15.4 ~ 26.5	VP5-21.4ADJ																												
Flexible		18" Flexible		<table border="1"> <thead> <tr> <th>SIZE</th> <th>D</th> <th>L1</th> <th>L</th> <th>Part Number</th> </tr> </thead> <tbody> <tr> <td rowspan="2">4</td> <td rowspan="2">4</td> <td>17.7</td> <td>19.76</td> <td>VP4-18FLEX</td> </tr> <tr> <td>17.7</td> <td>20.4</td> <td>VP5-18FLEX</td> </tr> </tbody> </table>	SIZE	D	L1	L	Part Number	4	4	17.7	19.76	VP4-18FLEX	17.7	20.4	VP5-18FLEX															
SIZE	D	L1	L	Part Number																												
4	4	17.7	19.76	VP4-18FLEX																												
		17.7	20.4	VP5-18FLEX																												
Elbow		45 Degree		<table border="1"> <thead> <tr> <th>SIZE</th> <th>D</th> <th>L</th> <th>L1</th> <th>Part Number</th> </tr> </thead> <tbody> <tr> <td rowspan="2">4</td> <td rowspan="2">4</td> <td>4</td> <td>2.05</td> <td>VP4-45EL</td> </tr> <tr> <td>5.36</td> <td>2.68</td> <td>VP5-45EL</td> </tr> </tbody> </table>	SIZE	D	L	L1	Part Number	4	4	4	2.05	VP4-45EL	5.36	2.68	VP5-45EL															
SIZE	D	L	L1	Part Number																												
4	4	4	2.05	VP4-45EL																												
		5.36	2.68	VP5-45EL																												

# N-Vent Pieces (2)

Category	Type	Photo	Description	Drawing	Dimensions (Inches)															
Vent Pipe	Elbow		90 Degree		<table border="1"> <thead> <tr> <th>SIZE</th> <th>D</th> <th>L1</th> <th>L</th> <th>Part Number</th> </tr> </thead> <tbody> <tr> <td>4</td> <td>4</td> <td>2.05</td> <td>6.15</td> <td>VP4-90EL</td> </tr> <tr> <td>5</td> <td>5</td> <td>2.68</td> <td>7.9</td> <td>VP5-90EL</td> </tr> </tbody> </table>	SIZE	D	L1	L	Part Number	4	4	2.05	6.15	VP4-90EL	5	5	2.68	7.9	VP5-90EL
SIZE	D	L1	L	Part Number																
4	4	2.05	6.15	VP4-90EL																
5	5	2.68	7.9	VP5-90EL																
Vent Termination	Horizontal		Straight Birdscreen		<table border="1"> <thead> <tr> <th>SIZE</th> <th>D</th> <th>L1</th> <th>L</th> <th>Part Number</th> </tr> </thead> <tbody> <tr> <td>4</td> <td>4</td> <td>2.05</td> <td>6.15</td> <td>VT4-S</td> </tr> <tr> <td>5</td> <td>5</td> <td>2.68</td> <td>7.9</td> <td>VT5-S</td> </tr> </tbody> </table>	SIZE	D	L1	L	Part Number	4	4	2.05	6.15	VT4-S	5	5	2.68	7.9	VT5-S
SIZE	D	L1	L	Part Number																
4	4	2.05	6.15	VT4-S																
5	5	2.68	7.9	VT5-S																
Vent Termination	Horizontal		45 Degree Birdscreen		<table border="1"> <thead> <tr> <th>SIZE</th> <th>D</th> <th>L1</th> <th>L</th> <th>Part Number</th> </tr> </thead> <tbody> <tr> <td>4</td> <td>4</td> <td>2.05</td> <td>4</td> <td>VT4-45</td> </tr> <tr> <td>5</td> <td>5</td> <td>2.68</td> <td>5.36</td> <td>VT5-45</td> </tr> </tbody> </table>	SIZE	D	L1	L	Part Number	4	4	2.05	4	VT4-45	5	5	2.68	5.36	VT5-45
SIZE	D	L1	L	Part Number																
4	4	2.05	4	VT4-45																
5	5	2.68	5.36	VT5-45																
Vent Pipe	Adapter		Appliance Adapter for other Tankless Heaters to use N-Vent		<table border="1"> <thead> <tr> <th>SIZE</th> <th>D</th> <th>L1</th> <th>L</th> <th>D1</th> <th>Part Number</th> </tr> </thead> <tbody> <tr> <td>4</td> <td>4</td> <td>1.17</td> <td>4.92</td> <td>4.03</td> <td>VP4-ADAPT-1</td> </tr> </tbody> </table>	SIZE	D	L1	L	D1	Part Number	4	4	1.17	4.92	4.03	VP4-ADAPT-1			
SIZE	D	L1	L	D1	Part Number															
4	4	1.17	4.92	4.03	VP4-ADAPT-1															


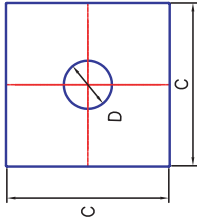

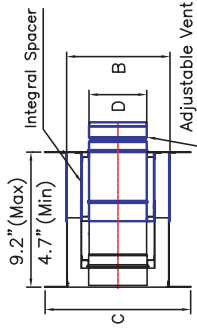

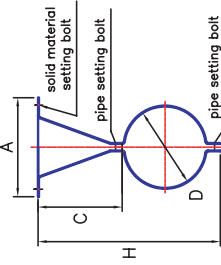
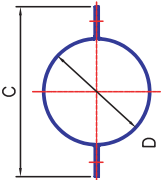
# N-Vent Pieces (3)

Category	Type	Photo	Description	Drawing	Dimensions (Inches)																		
Vent Termination	Horizontal		Hood		<table border="1"> <thead> <tr> <th>SIZE</th> <th>D</th> <th>L1</th> <th>L</th> <th>D1</th> <th>Part Number</th> </tr> </thead> <tbody> <tr> <td>4</td> <td>4</td> <td>2.13</td> <td>6.06</td> <td>7.4</td> <td>VT4-SH</td> </tr> <tr> <td>5</td> <td>5</td> <td>2.76</td> <td>6.62</td> <td>7.4</td> <td>VT5-SH</td> </tr> </tbody> </table>	SIZE	D	L1	L	D1	Part Number	4	4	2.13	6.06	7.4	VT4-SH	5	5	2.76	6.62	7.4	VT5-SH
		SIZE	D	L1	L	D1	Part Number																
4	4	2.13	6.06	7.4	VT4-SH																		
5	5	2.76	6.62	7.4	VT5-SH																		
			Louver		<table border="1"> <thead> <tr> <th>SIZE</th> <th>D</th> <th>L1</th> <th>L</th> <th>D1</th> <th>Part Number</th> </tr> </thead> <tbody> <tr> <td>4</td> <td>4</td> <td>2.13</td> <td>3.15</td> <td>7.4</td> <td>VT4-SL</td> </tr> <tr> <td>5</td> <td>5</td> <td>2.76</td> <td>3.7</td> <td>7.4</td> <td>VT5-SL</td> </tr> </tbody> </table>	SIZE	D	L1	L	D1	Part Number	4	4	2.13	3.15	7.4	VT4-SL	5	5	2.76	3.7	7.4	VT5-SL
SIZE	D	L1	L	D1	Part Number																		
4	4	2.13	3.15	7.4	VT4-SL																		
5	5	2.76	3.7	7.4	VT5-SL																		
Condensation Drain	Vertical		Rain Cap		<table border="1"> <thead> <tr> <th>SIZE</th> <th>D</th> <th>L1</th> <th>L</th> <th>D1</th> <th>Part Number</th> </tr> </thead> <tbody> <tr> <td>4</td> <td>4</td> <td>2</td> <td>6.6</td> <td>7.8</td> <td>RC4</td> </tr> <tr> <td>5</td> <td>5</td> <td>2</td> <td>7.2</td> <td>11</td> <td>RC5</td> </tr> </tbody> </table>	SIZE	D	L1	L	D1	Part Number	4	4	2	6.6	7.8	RC4	5	5	2	7.2	11	RC5
		SIZE	D	L1	L	D1	Part Number																
4	4	2	6.6	7.8	RC4																		
5	5	2	7.2	11	RC5																		
			Horizontal Drain Tee		<table border="1"> <thead> <tr> <th>SIZE</th> <th>D</th> <th>L</th> <th>L1</th> <th>Part Number</th> </tr> </thead> <tbody> <tr> <td>4</td> <td>4</td> <td>7.2</td> <td>2.05</td> <td>DT4</td> </tr> <tr> <td>5</td> <td>5</td> <td>8</td> <td>2.7</td> <td>DT5</td> </tr> </tbody> </table>	SIZE	D	L	L1	Part Number	4	4	7.2	2.05	DT4	5	5	8	2.7	DT5			
SIZE	D	L	L1	Part Number																			
4	4	7.2	2.05	DT4																			
5	5	8	2.7	DT5																			
	Vertical	Photo Currently Not Available	Vertical Drain Tee		<table border="1"> <thead> <tr> <th>SIZE</th> <th>D</th> <th>L</th> <th>L1</th> <th>Part Number</th> </tr> </thead> <tbody> <tr> <td>4</td> <td>4</td> <td>2.05</td> <td>5.12</td> <td>DT4-V</td> </tr> <tr> <td>5</td> <td>5</td> <td>2.68</td> <td>6.22</td> <td>DT5-V</td> </tr> </tbody> </table>	SIZE	D	L	L1	Part Number	4	4	2.05	5.12	DT4-V	5	5	2.68	6.22	DT5-V			
SIZE	D	L	L1	Part Number																			
4	4	2.05	5.12	DT4-V																			
5	5	2.68	6.22	DT5-V																			

# N-Vent Pieces (4)

Category	Type	Photo	Description	Drawing	Dimensions (Inches)															
		Photo Currently Not Available	Flat Roof Flashing		<table border="1"> <thead> <tr> <th>SIZE</th> <th>B</th> <th>H</th> <th>C</th> <th>Part Number</th> </tr> </thead> <tbody> <tr> <td>4</td> <td>5.3</td> <td>11.5</td> <td>17</td> <td>FRF4</td> </tr> <tr> <td>5</td> <td>6.3</td> <td>11.5</td> <td>18</td> <td>FRF5</td> </tr> </tbody> </table>	SIZE	B	H	C	Part Number	4	5.3	11.5	17	FRF4	5	6.3	11.5	18	FRF5
SIZE	B	H	C	Part Number																
4	5.3	11.5	17	FRF4																
5	6.3	11.5	18	FRF5																
			Angled Roof Flashing		<table border="1"> <thead> <tr> <th>SIZE</th> <th>B</th> <th>H</th> <th>C</th> <th>Part Number</th> </tr> </thead> <tbody> <tr> <td>4</td> <td>6.0</td> <td>6.0</td> <td>17</td> <td>ARF4</td> </tr> <tr> <td>5</td> <td>7.0</td> <td>6.0</td> <td>18</td> <td>ARF5</td> </tr> </tbody> </table>	SIZE	B	H	C	Part Number	4	6.0	6.0	17	ARF4	5	7.0	6.0	18	ARF5
SIZE	B	H	C	Part Number																
4	6.0	6.0	17	ARF4																
5	7.0	6.0	18	ARF5																
Roof Piece	Vertical		Roof Jack		<table border="1"> <thead> <tr> <th>SIZE</th> <th>B</th> <th>H</th> <th>Part Number</th> </tr> </thead> <tbody> <tr> <td>4</td> <td>5.0</td> <td>18</td> <td>RJ4</td> </tr> <tr> <td>5</td> <td>6.0</td> <td>18</td> <td>RJ5</td> </tr> </tbody> </table>	SIZE	B	H	Part Number	4	5.0	18	RJ4	5	6.0	18	RJ5			
SIZE	B	H	Part Number																	
4	5.0	18	RJ4																	
5	6.0	18	RJ5																	
			Storm Collar Pipe		<table border="1"> <thead> <tr> <th>SIZE</th> <th>D</th> <th>A</th> <th>H</th> <th>Part Number</th> </tr> </thead> <tbody> <tr> <td>4</td> <td>4</td> <td>7.8</td> <td>23.6</td> <td>SCP4</td> </tr> <tr> <td>5</td> <td>5</td> <td>8.9</td> <td>25.2</td> <td>SCP5</td> </tr> </tbody> </table>	SIZE	D	A	H	Part Number	4	4	7.8	23.6	SCP4	5	5	8.9	25.2	SCP5
SIZE	D	A	H	Part Number																
4	4	7.8	23.6	SCP4																
5	5	8.9	25.2	SCP5																

# N-Vent Pieces (5)

Category	Type	Photo	Description	Drawing	Dimensions (Inches)																																				
Fire Stop	Vertical		Fire Stop		<table border="1"> <thead> <tr> <th>SIZE</th> <th>D</th> <th>C</th> <th>Part Number</th> </tr> </thead> <tbody> <tr> <td>4</td> <td>4.4</td> <td>15</td> <td>FS4</td> </tr> <tr> <td>5</td> <td>5.4</td> <td>17</td> <td>FS5</td> </tr> </tbody> </table>	SIZE	D	C	Part Number	4	4.4	15	FS4	5	5.4	17	FS5																								
SIZE	D	C	Part Number																																						
4	4.4	15	FS4																																						
5	5.4	17	FS5																																						
Wall Penetration	Horizontal		Wall Thimble		<table border="1"> <thead> <tr> <th>SIZE</th> <th>D</th> <th>B</th> <th>C</th> <th>Part Number</th> </tr> </thead> <tbody> <tr> <td>4</td> <td>4</td> <td>7</td> <td>10</td> <td>WT4</td> </tr> <tr> <td>5</td> <td>5</td> <td>10.7</td> <td>12.2</td> <td>WT5</td> </tr> </tbody> </table>	SIZE	D	B	C	Part Number	4	4	7	10	WT4	5	5	10.7	12.2	WT5																					
SIZE	D	B	C	Part Number																																					
4	4	7	10	WT4																																					
5	5	10.7	12.2	WT5																																					
Support	Strap		1" Clearance		<table border="1"> <thead> <tr> <th>SIZE</th> <th>D</th> <th>A</th> <th>H</th> <th>C</th> <th>Part Number</th> </tr> </thead> <tbody> <tr> <td rowspan="3">4</td> <td rowspan="3">4</td> <td rowspan="3">4.73</td> <td>5.7</td> <td>1"</td> <td>SS4-1</td> </tr> <tr> <td>6.6</td> <td>2"</td> <td>SS4-2</td> </tr> <tr> <td>8.7</td> <td>4"</td> <td>SS4-4</td> </tr> <tr> <td rowspan="3">5</td> <td rowspan="3">5</td> <td rowspan="3">6</td> <td>10.7</td> <td>6"</td> <td>SS4-6</td> </tr> <tr> <td>6.8</td> <td>1"</td> <td>SS5-1</td> </tr> <tr> <td>7.8</td> <td>2"</td> <td>SS5-2</td> </tr> <tr> <td>9.8</td> <td>4"</td> <td>SS5-4</td> </tr> <tr> <td>11.8</td> <td>6"</td> <td>SS5-6</td> </tr> </tbody> </table>	SIZE	D	A	H	C	Part Number	4	4	4.73	5.7	1"	SS4-1	6.6	2"	SS4-2	8.7	4"	SS4-4	5	5	6	10.7	6"	SS4-6	6.8	1"	SS5-1	7.8	2"	SS5-2	9.8	4"	SS5-4	11.8	6"	SS5-6
			SIZE	D	A	H	C	Part Number																																	
			4	4	4.73	5.7	1"	SS4-1																																	
						6.6	2"	SS4-2																																	
8.7	4"	SS4-4																																							
5	5	6	10.7	6"	SS4-6																																				
			6.8	1"	SS5-1																																				
			7.8	2"	SS5-2																																				
9.8	4"	SS5-4																																							
11.8	6"	SS5-6																																							
2" Clearance																																									
4" Clearance																																									
6" Clearance																																									
	Clamp	Photo Currently Not Available	Support Clamp		<table border="1"> <thead> <tr> <th>SIZE</th> <th>D</th> <th>C</th> <th>Part Number</th> </tr> </thead> <tbody> <tr> <td>4</td> <td>4</td> <td>6</td> <td>SC4</td> </tr> <tr> <td>5</td> <td>5</td> <td>7</td> <td>SC5</td> </tr> </tbody> </table>	SIZE	D	C	Part Number	4	4	6	SC4	5	5	7	SC5																								
SIZE	D	C	Part Number																																						
4	4	6	SC4																																						
5	5	7	SC5																																						

