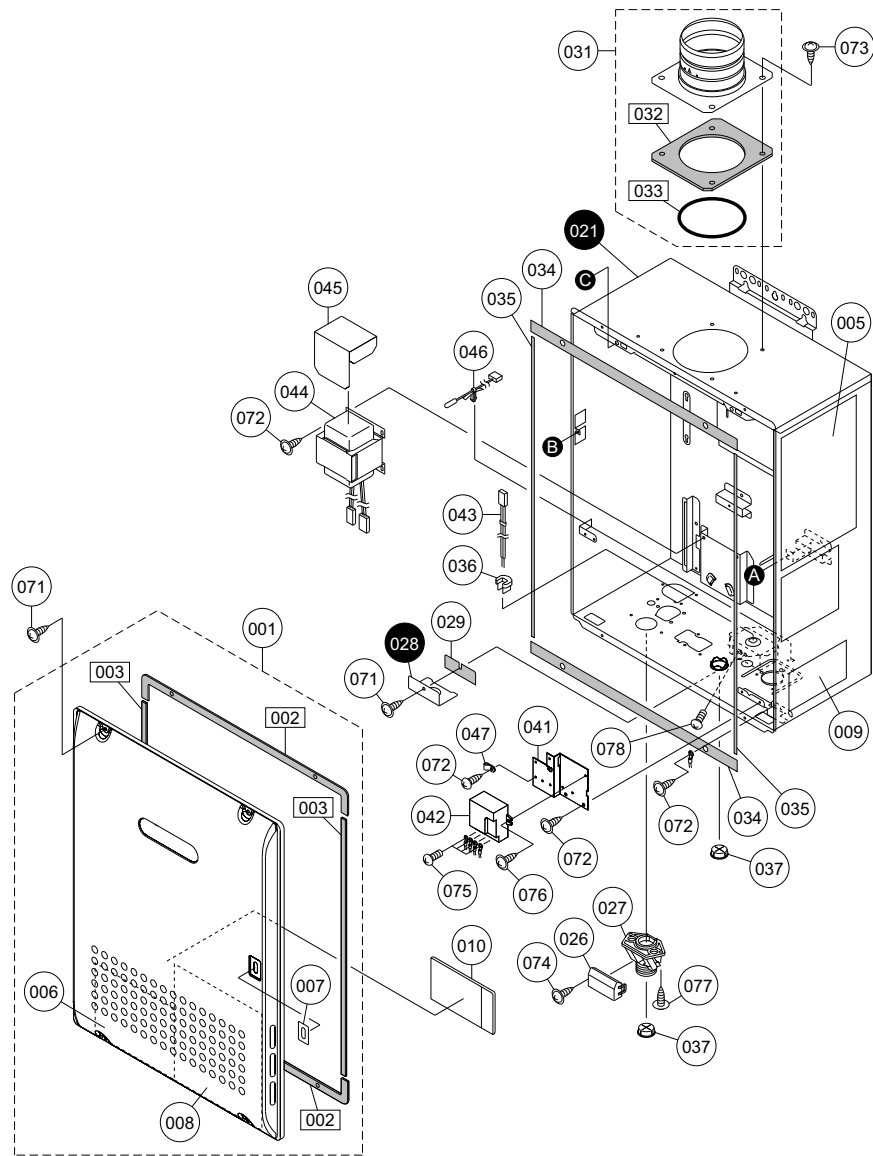
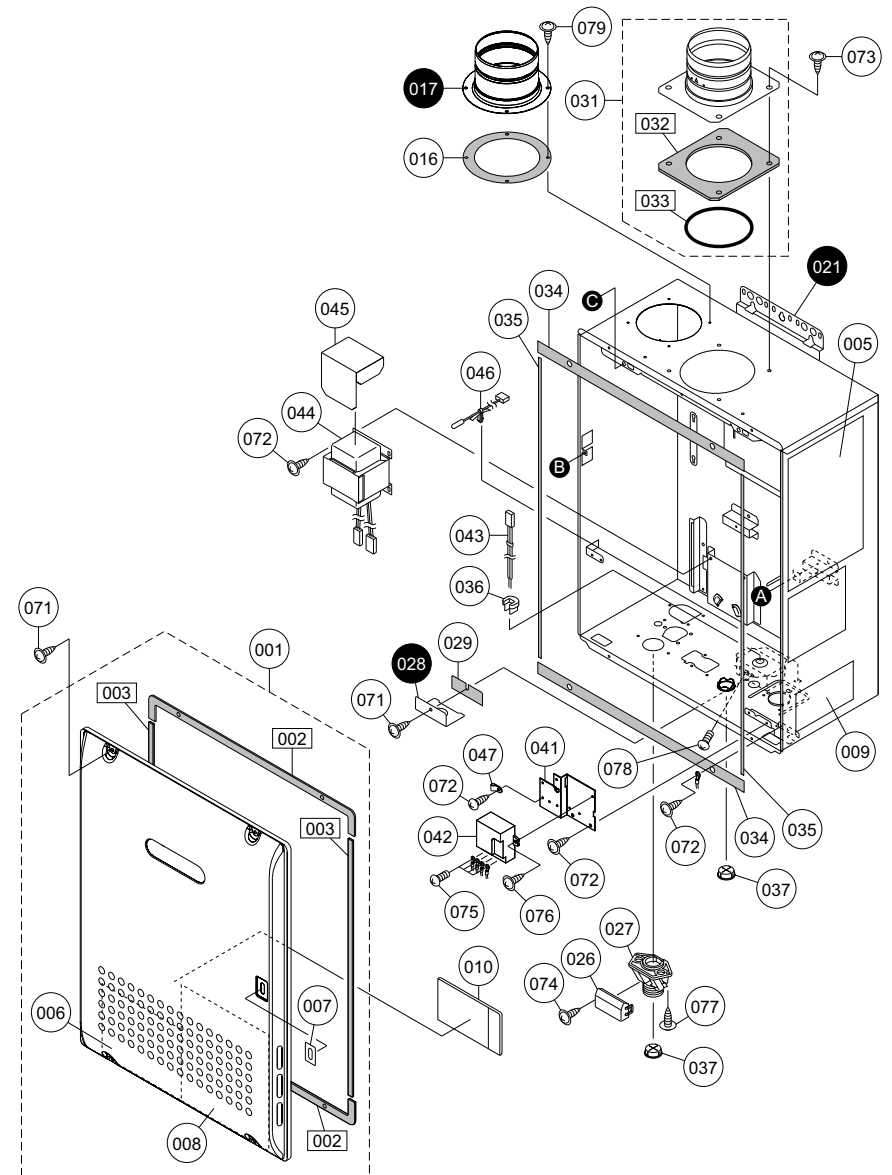


External outfitting N-0841MC



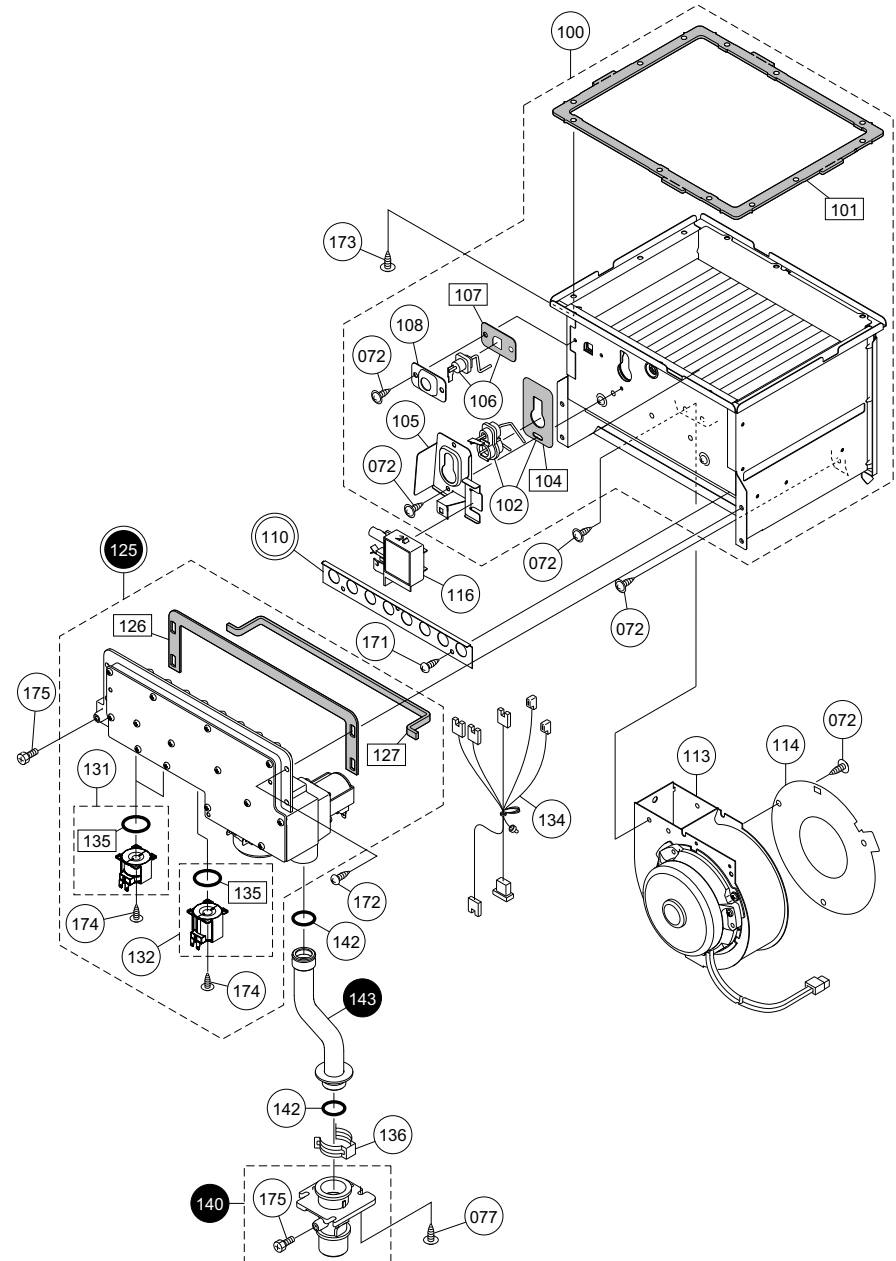
External outfitting N-0841MC-DV



External outfitting N-0841MC,N-0841MC-DV

Part Nos.	Part Names	Order Nos.	Q'ty/unit
001	N-0841MC Front set-AS N-0841MC-DV Front set-AS	SKD7962 SKE7210	1<0841MC> 1<0841MC-DV>
002	Front packing S AAP	AAPL015	2
003	Front packing L AAP	AAPL017	2
005	Caution label ENG ELV	ELVK003	1
006	Caution label FRE ELV	ELVK006	1
007	Lamp seal plate ENK	ENKK002	1
008	Connection diagram label ENJ	ENJK005	1
009	Rating plate 2 H EMT	EMTK004	1<0841MC>
	Rating plate 2 DV(FF) EMT	EMTK010	1<0841MC-DV>
010	Parts list sheet set ENJ-A	ENJK061	1
016	Intake pipe packing EHK	EHLK084	1<0841MC-DV>
017	Intake pipe ELE	ELEF001	1<0841MC-DV>
021	Case set H ENJ	ENJA001	1<0841MC>
	Case set DV ENJ	ENJA021	1<0841MC-DV>
026	External connection terminal block cover DNS	DNSA025	1
027	External connection terminal block set DNS	DNSA026	1
028	Junction box cover (SUS ENJ	ENJA015	1
029	Junction box cover packing ENW	ENWL005	1
031	Exhaust adapter H ENJ	ENJF011	1
032	Flange packing ENJ	SKD7467	1
033	O-ring φ100 for AS	SKD7469	1
034	Guard packing side EMT	EMTA008	2
035	Guard tape 590 EMT	EMTA009	2
036	Cord bushing SR-5P-4	SAE6198	1
037	Grommet CXP	CXPA026	2
041	Mounting plate for terminal block DZT	DZTA006	1
042	Current leakage safety device DTJ	DTJJ015	1
043	Conduit 92-120V ENJ	ENJJ020	1
044	Transformer EAU	EAUJ011	1
045	Transformer cover EJS	EJSA021	1
046	Air thermistor-300 BWC	BWCH003	1
047	Nylon clamp HP-4N (NK-4N)	7287909	1
071	Cross recessed truss type3 EVERTIGHT tapping screw with PW 4X12		
072	Cross recessed round-head collar N-tapping screw 4X8		
073	Cross & straight recessed truss type3 S TIGHT tapping screw 4X10		
074	Cross recessed round-head collar P-tapping screw 4X12		
075	Cross recessed bind machine screw M3.5X6		
076	Cross recessed round-head collar N-tapping screw 4X12		
077	Cross recessed round-head collar type3 EVERTIGHT tapping screw 4X12		
078	Cross recessed truss machine screw M4X8		
079	Cross recessed round-head collar N-tapping screw 4X10		

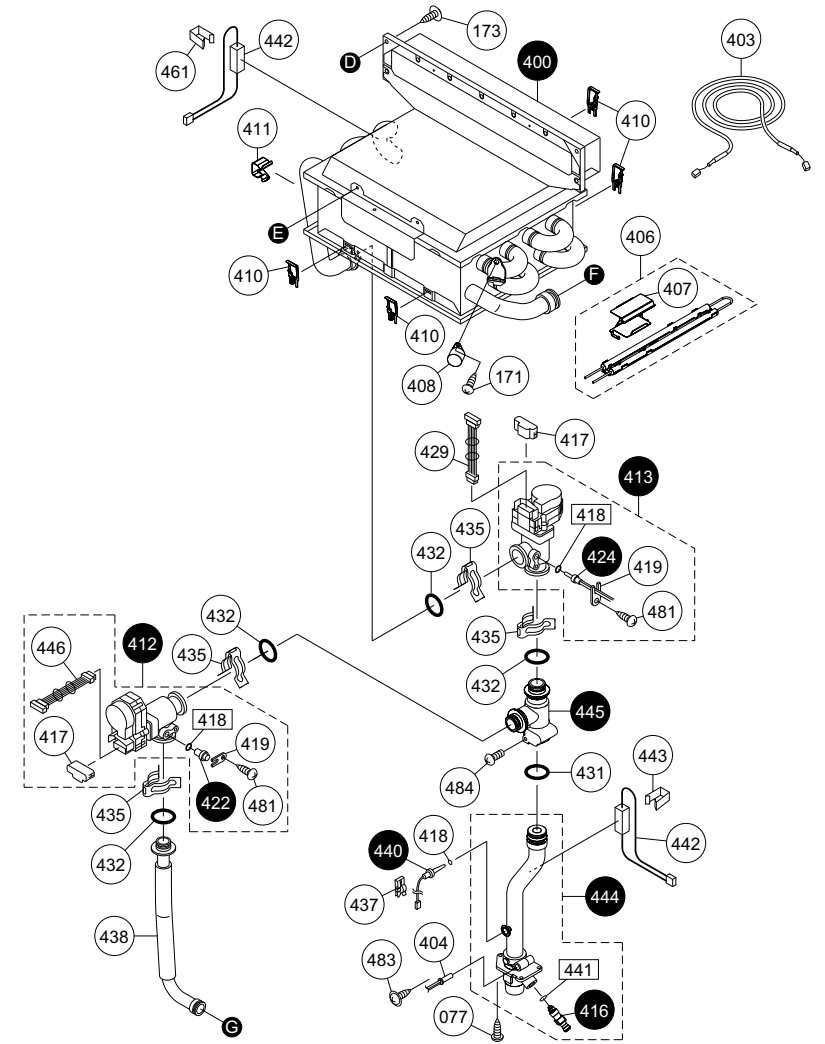
Combustion unit and gas route N-0841MC,N-0841MC-DV



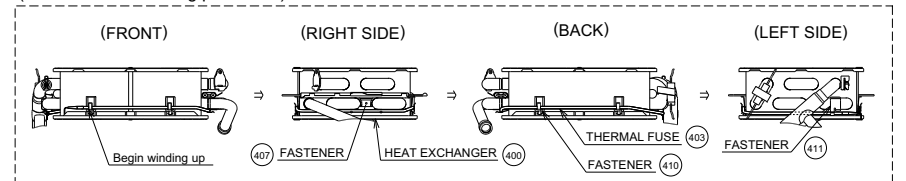
Combustion unit and gas route N-0841MC,N-0841MC-DV

Part Nos.	Part Names	Order Nos.	Q'ty/unit
100	Combustion tube set ELV SET-V	SKC7447	1
101	Suction air joint packing ELV	ELVL001	1
102	Ignition plug ELV & packing EHK SETV	SKC7448	1
104	Plug packing H EHK	EHLK002	1
105	Mounting plate for plug H EGL	EGLC035	1
106	Flame rod ELV & packing DJP SETV	SKC7449	1
107	Sensor packing DJP	DJPL004	1
108	Sensor fixing plate DJP	DJPC012	1
110	Main damper 9-10 ELV	ELVC055	1<0841MC LP> 1<0841MC-DV NG>
	Main damper 11 ELV	ELVC054	1<0841MC-DV LP>
	Main damper 9-10A ELV	ELVC056	1<0841MC NG>
113	Fan motor 110 ENJ(ENG)SET-AS	SKD7441	1
114	Bell-mouth 110 φ56 EHK	EHKF423	1
116	Igniter EHE	EHEJ003	1
125	Gas mech. manifold 23 ELV SET-AS	SKD7462	1<LP>
	Gas mech. manifold 36 ELV SET-AS	SKD7463	1<NG>
126	Manifold seal packing top ELV	ELVL003	1
127	Manifold seal packing bottom ELV	ELVL007	1
131	Solenoid SO9L EBT SET-V	SBP7501	2
132	Solenoid S16 CRU SET-V	SBB7213	1
134	Gas mech. harness ELV	ELVJ018	1
135	O-ring JASO 2030 type 1	SAA6044	3
136	Quick fastener 16B	6340407	1
140	Gas fitting 20A SET ELV	ELVE021	1
142	O-ring P18	2110903	2
143	Manifold pipe ENJ	ENJE007	1
171	Cross recessed round-head N-tapping screw 4X8		
172	Cross recessed round-head type3 EVERTIGHT tapping screw 5X16		
173	Cross recessed round-head collar N-tapping screw 4X10		
174	Cross recessed round-head SPAKmachine screw with guide M4X12		
175	Cross recessed hexagon head machine screw M4X8		

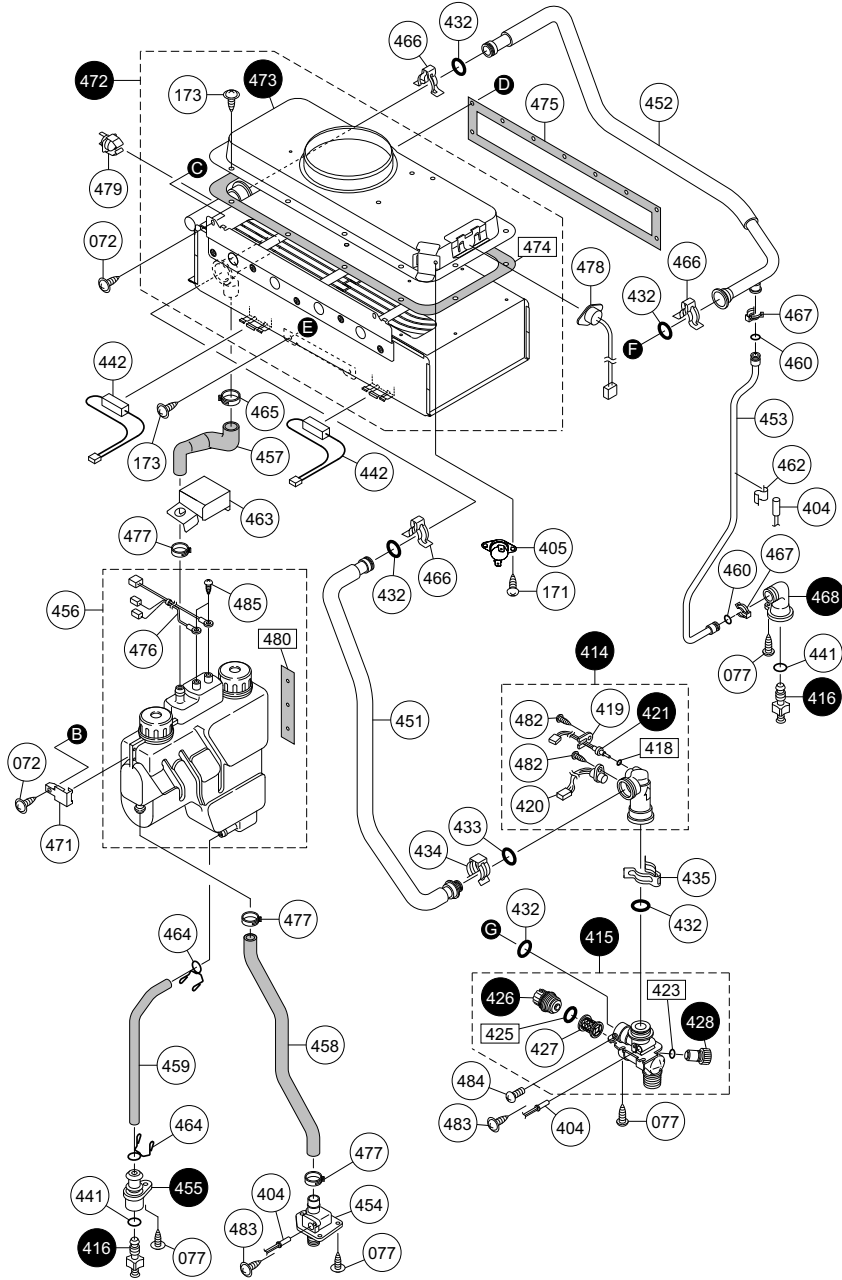
Hot-water feed route-1 N-0841MC,N-0841MC-DV



(Thermal fuse rounding procedure)



Hot-water feed route-2 N-0841MC,N-0841MC-DV



Hot-water feed route-1 N-0841MC,N-0841MC-DV

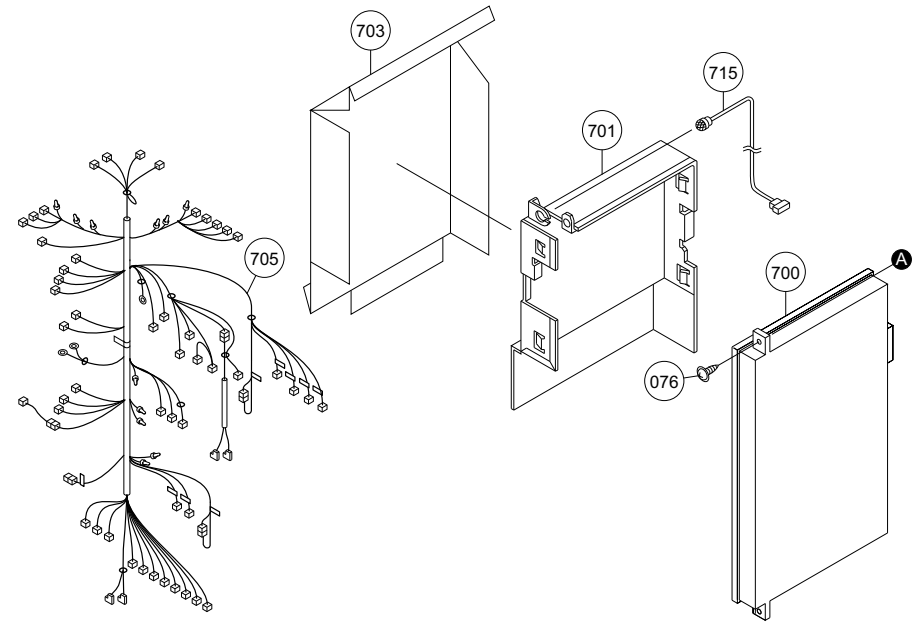
Part Nos.	Part Names	Order Nos.	Q'ty/unit
400	Heat exchanger & Exhaust box H ENJ SET-AS	SKD7963	1
403	Thermal fuse ELV SET-V	SKC7453	1
404	Freeze preventive heater 3 BGD	BGDH002	4
405	Thermostat BHV	BHMH002	1
406	Freeze preventive heater EBT ELV SETV	SKC7454	1
407	Heater fastener ELV	ELVH018	1
408	Remaining flame safety device 94 ELV	ELVH002	1
410	Thermal fuse fastener EGL	EGLH002	4
411	Thermal fuse fastener for 16 CMN	CMNH003	1
412	Water flow servo set 1 DZT	DZTD010	1
413	Water flow servo set 2 DZT	DZTD011	1
414	Water flow sensor set 3 DUV	DUVD019	1
415	Water inlet fitting 20A set EJM	EJMD002	1
416	Drain cock CRU	CRUD003	3
417	Waterproof cover CZL	CZLD041	2
418	O-ring P4C	1323709	4
419	Thermistor holding plate ALS	ALSD088	3
420	Water outlet magnetic sensor BWC	BWCD090	1
421	Water inlet thermistor-300 BWC	BWCD097	1
422	Shut-off cock AXG	AXGD089	1
423	Hot-water resistant O-ring P9	SAD6635	1
424	Heat exchanger thermistor-300 BWC	BWCD098	1
425	O-ring 16DF BRQ	BRQL008	1
426	Water filter cover DTJ	DTJD006	1
427	Water filter (SUS) EGB	EGBD032	1
428	QMF safety valve A(S)	SAA2811	1
429	Conduit 86 DZT	DZTJ008	1
431	O-ring P22C	7573308	1
432	O-ring P16C	3223302	9
433	O-ring P12.5C	3359808	1
434	Quick fastener 12.7	6340202	1
435	Quick fastener 16A	6340300	5
437	Sensor fastener CRU	CRUD055	1
438	Bypass pipe ENJ	ENJD005	1
440	Hot-water thermistor-300 BWC	BWCD096	1
441	Hot-water resistant O-ring P3	SAD6633	3
442	Freeze preventive heater 2 BGD	BGDH005	4
443	Heater fastener 22.2 ELV	ELVL011	1
444	Hot-water feed pipe ENJ	ENJD003	1
445	Mixing room ELW	ELWD005	1
446	Servo motor cable conduit (86) DZT	DZTJ009	1
451	Water inlet pipe ENJ	ENJD001	1
452	Heat exchanger connecting pipe ENJ	ENJD007	1
453	Drain pipe ENJ	ENJD009	1
454	Drain coupling ENJ	ENJF024	1
455	Draining coupling EMD	EMDF309	1
456	Neutralizer unit ENJ SET-V	SKD7466	1
457	Drain hose ENJ	ENJF021	1
458	Drain hose 2 ENJ	ENJF022	1
459	Water drain hose of Neutralizer ENJ	ENJF023	1
460	O-ring P6C	3264408	2
461	Heater fastener LL CPL	CPLL002	1
462	Heater fastener DLK	DLKH005	1
463	Neutralizer electrode cover EMU	EMUA007	1
464	Pin-band for φ 8 DEG	DEGD004	2

Hot-water feed route-2 N-0841MC,N-0841MC-DV

Part Nos.	Part Names	Order Nos.	Q'ty/unit
465	Hose clamp NO.40	SAD1034	1
466	Quick fastener 16-25	SAD6593	3
467	Quick fastener 6-13	SAD6594	2
468	Drain coupling CBN	CBND018	1
471	Mounting plate for neutralizer EHW	EHWA016	1
472	Secondary heat exchanger H set ENJ	ENJB101	1
473	Exhaust box set ENJ	ENJF111	1
474	Exhaust box packing ENJ	ENJF116	1
475	Exhaust joint packing EHW	EHWL003	1
476	Conduit 74 ENJ	ENJJ021	1
477	Hose clamp NO.35	SAD6670	3
478	Remaining flame safety device 80 ENJ	ENJH001	1
479	Thermostat BVU	BVUH002	1
480	Neutralizer packing ENJ	ENJL007	1
481	Cross recessed round-head P TIGHT screw 4X10		
482	Cross recessed round-head P TIGHT screw 4X10		
483	Cross&straight recessed round-head collar type3 S TIGHT tapping screw 4X8		
484	Cross recessed round-head machine screw M4X8		
485	Cross recessed truss P TIGHT screw 4X25		

Electronic control unit, Remote controller and Attached set

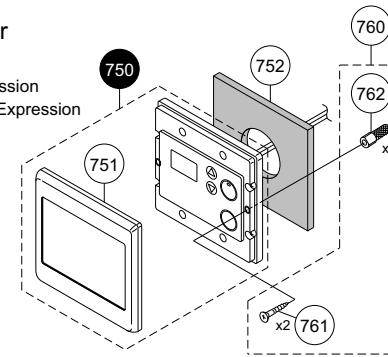
Electronic control unit



Optional

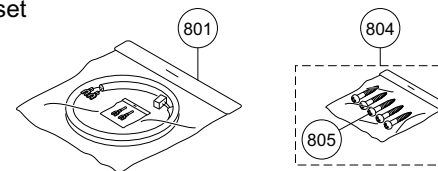
Remote controller RC-7649M-USA

(Temperature: °F Expression
Water Volume: Gallon Expression)



RC-7650M-ENG (For Canada)
(Temperature: °C Expression
Water Volume: Liter Expression)

Attached set



<Special part>

Special part	Special part no.
Owner's guide	888
Installation manual	889

※ To request a French version of the Owner's guide or Installation manual, contact Noritz America.

